



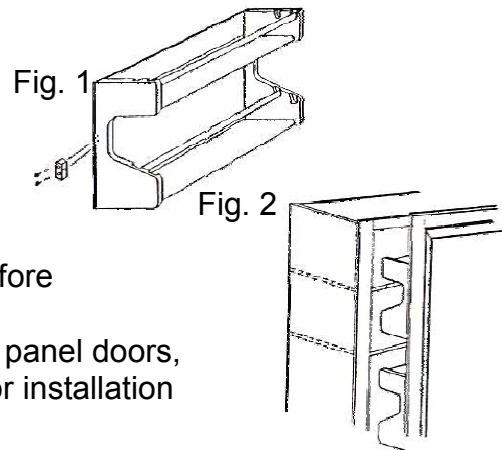
Omega National

PRODUCTS

SPICE SHELF **INSTALLATION INSTRUCTIONS**

Important Notes

- Always read instructions completely and carefully before beginning installation.
- This spice shelf will fit any 18" cabinet with recessed panel doors, and 18" or wider slab or raised panel style doors. For installation on other doors, see Special Note.



Parts List

- 1 – Spice Shelf
- 2 – KD Fasteners
- 6 – 3/4 #6 Ph. Hd. Screws
- 1 – Installation Instruction Sheet

Tools Needed

- Phillips Head Screwdriver
- Ruler or Tape Measure
- Pencil
- Drill and 3/32" Drill Bit

Step 1: Assemble KD fasteners to each end of the spice shelf as shown in Fig. 1. Locate KD fastener with square edge toward the back edge of the spice shelf. Mark holes with a pencil. Remove KD fastener and drill 3/32" diameter by 1/4" deep holes. Assemble the KD fasteners with two 3/4 6# screws.

This spice shelf is designed to set over an existing shelf in your cabinet, Fig. 2, allowing you to position the spice shelf in various locations or mount two on the same door. When doing this, allow 1/8" clearance between the top of the cabinet shelf and the bottom of the upper shelf in the spice shelf.

Step 2: Locate spice shelf against inside of cabinet door where desired, making sure it is level and that the door will close. Center the shelf from side to side and mark the hole locations.

Step 3: Remove spice shelf from door and drill pilot hole at marked locations, 3/32" diameter by 1/4" deep. **DO NOT DRILL DEEPER THAN 1/4" YOU MAY DAMAGE THE DOOR.**

Step 4: Align the spice shelf with the pilot holes and insert screws. **DO NOT OVERTIGHTEN, SCREWS STRIP EASILY IN WOOD.**

SPECIAL NOTE: For door styles not listed above, discard the KD fasteners and screws provided. It may be possible to install by drilling holes in the back of the spice shelf and fastening it directly through the back of the door. **—CAUTION—**Make certain the door is thick enough to accept this type of installation. If so, purchase the proper length screws and install, following steps 2, 3, and 4.