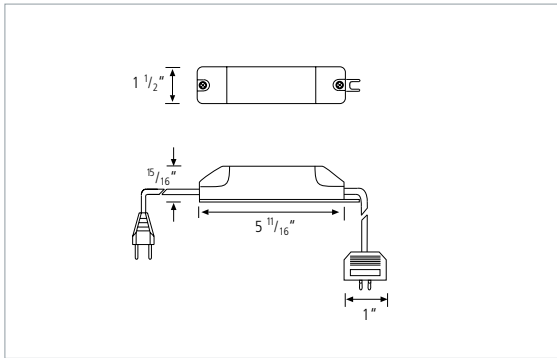


LED Power Supply, 9 W

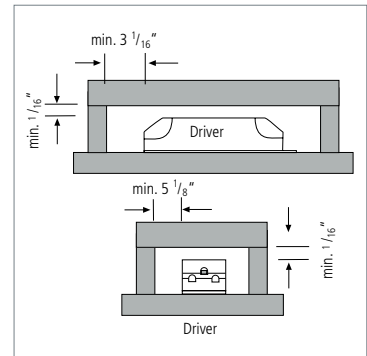


Electronic Power Supply For 9 x 1 W High-Power LEDs

Extremely small electronic power supply for max. 9 x 1 W high-power LEDs.

Product-Features

- 110 V, 50/60 Hz
- 350 mA constant current
- For connections of 1 – 9 x 1 W high-power LED
- Overload protection
- Overheat protection
- Short-circuit protection
- Soft start for maximum LED life
- 79" plug-in power cord
- Attached terminal block for 3 x LED spotlights.
Additional terminal blocks available



What you'll need to buy

Description	Code No.
Constant Current Driver 9 Watt	PSLED/A
Constant Current Driver 9 Watt switch compatible, to be used with FlexLED Edenroc or SIDE MOUNT	PSLEDA/Line