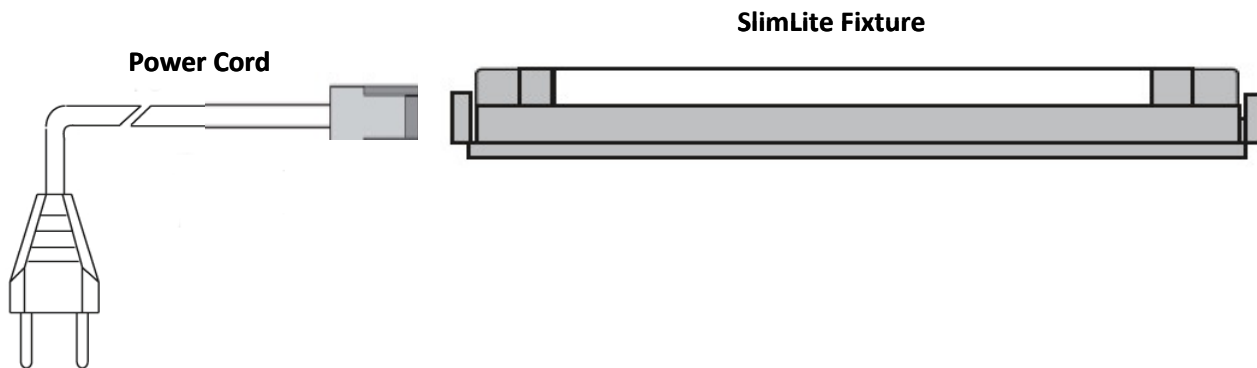


## SlimLite Buying Guide

A Fluorescent so compact, it fits even the most hard-to-light areas in furniture, displays, or under cabinets.



To design your SlimLite lighting system, start with the fixture. SlimLites come in lengths starting at 10" and going up to 59". For each run of lights you will need a power cord (HR-SPCXL). Various lengths of connecting cables are available to create long, continuous runs of light.

**SlimLite Fluorescent System**