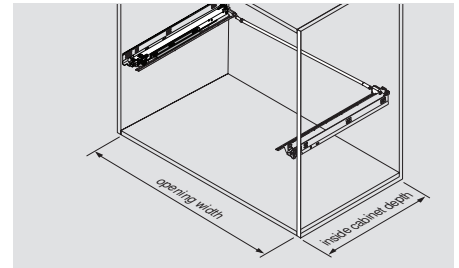


# MOVENTO 763/769

## Lateral Stabilizer Installation Instructions

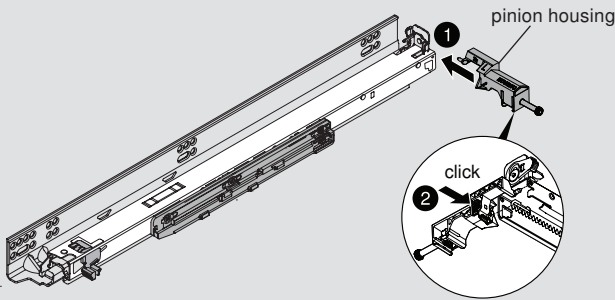


**NOTE:** Recommended for opening widths 610 (24") to 1369 (53-29/32") wide

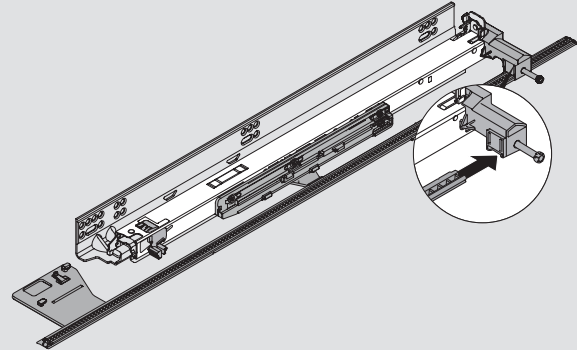
### Installation

#### Step 1 – Attach left and right pinion housings

- 1 Insert locating pins into MOVENTO runner
- 2 Press orange locking clips to lock into place

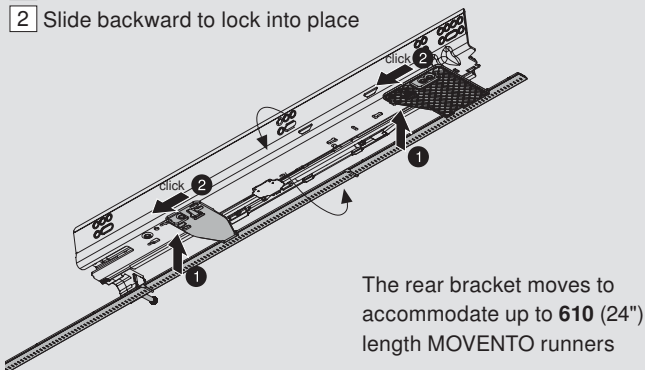


#### Step 2 – Slide gear racks into pinion housings

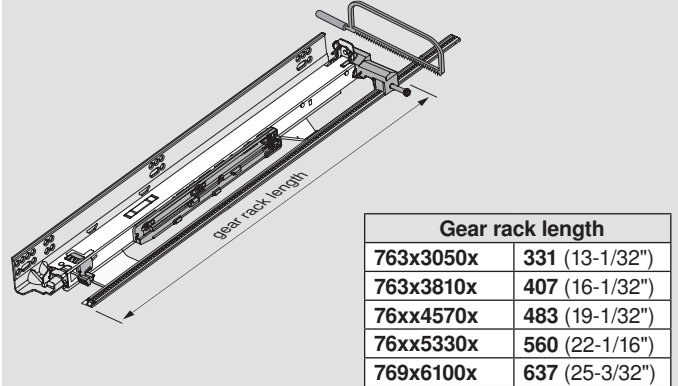


#### Step 3 – Install gear racks

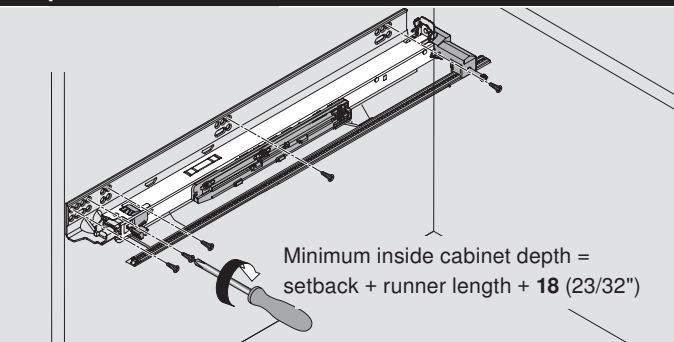
- 1 Insert locating tabs into cut-outs on bottom of runners
- 2 Slide backward to lock into place



#### Step 4 – Cut gear racks to length



#### Step 5 – Install runners



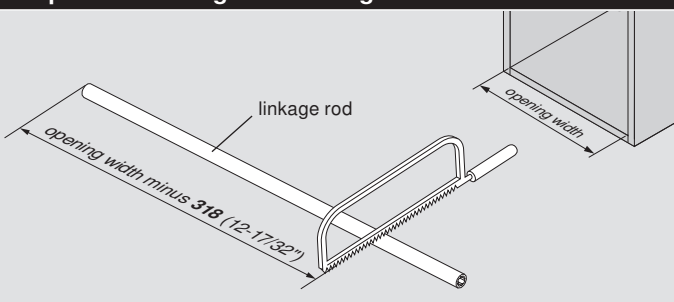
#### NOTE:

For use in panel and blocked-out face frame applications with **305** (12") to **610** (24") length drawers or face frame applications with rear attachment and **305** (12") to **533** (21") length drawers.

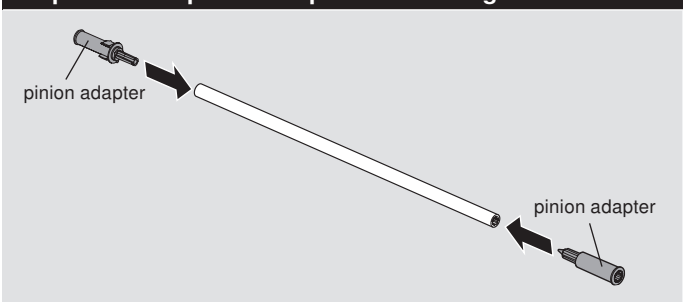
However, for best results use in panel or blocked-out face frame applications.

MOVENTO runners will sit **3** (1/8") higher when using the lateral stabilizer in bottom mount applications, and may have to be raised for some bottom mount drawer applications using SERVO-DRIVE.

#### Step 6 – Cut linkage rod to length

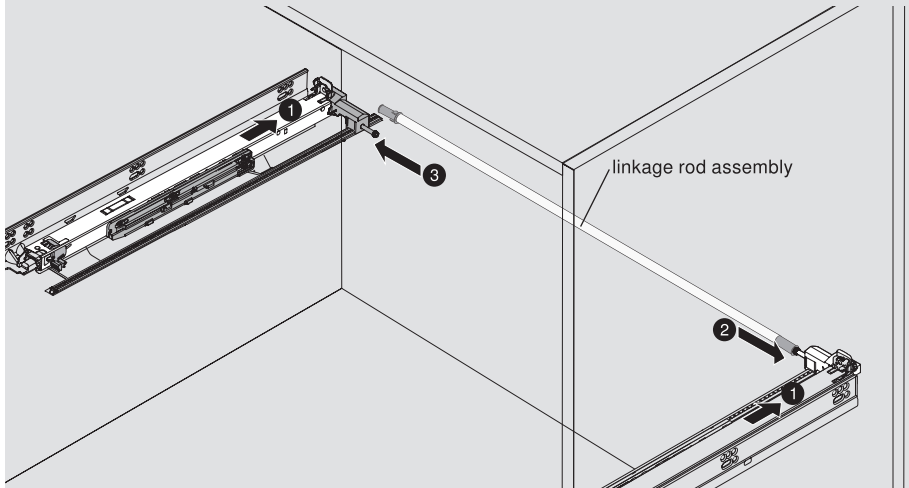


#### Step 7 – Press pinion adapters into linkage rod



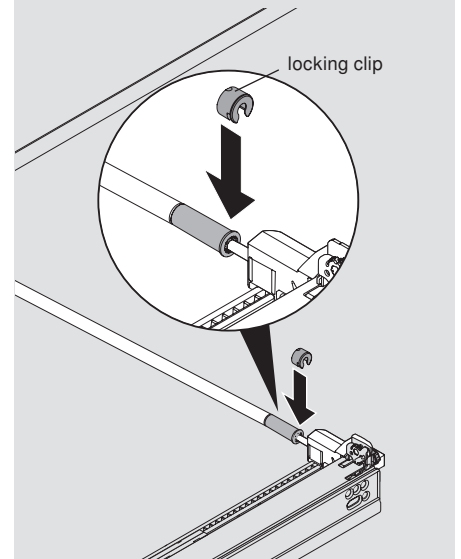
### Step 8 – Install linkage rod assembly

- 1 Close drawer runners
- 2 Slide right pinion adapter onto right pinion
- 3 Slide linkage rod assembly left onto left pinion



### Step 9 – Install locking clips

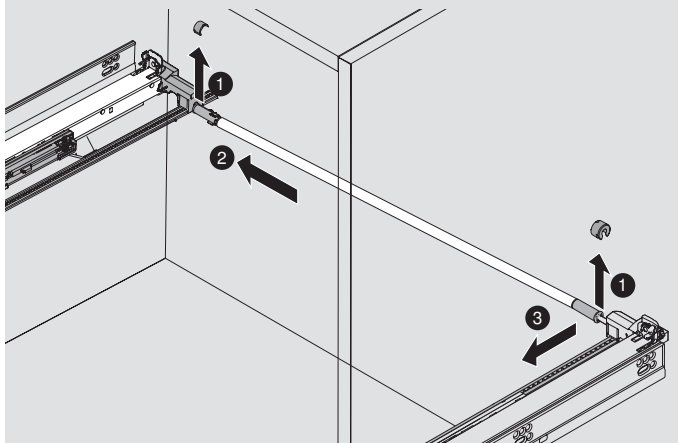
Install locking clips on both adapters



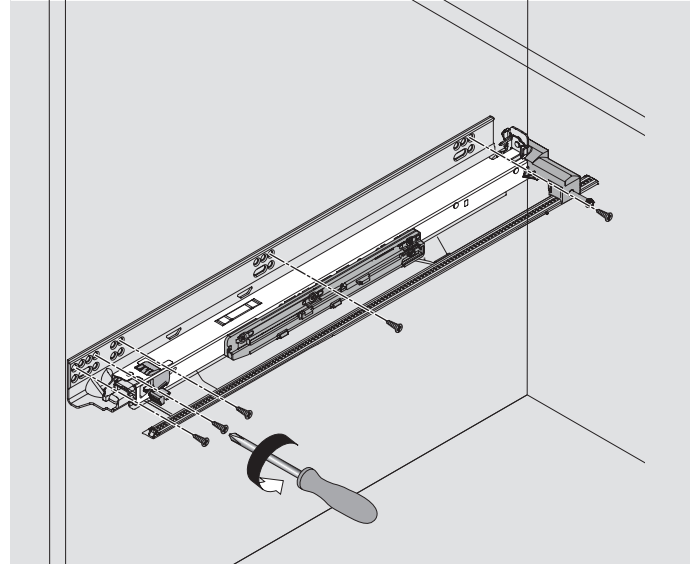
## Removal

### Step 1 – Remove locking clips and linkage rod assembly

- 1 Remove locking clips
- 2 Slide linkage rod assembly left
- 3 Pull forward on right side to remove

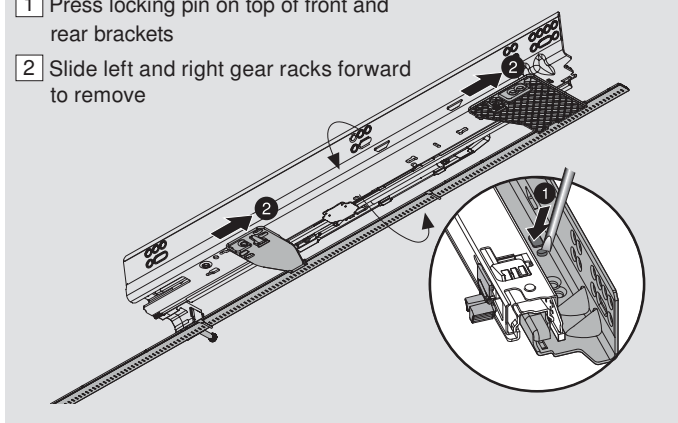


### Step 2 – Remove runners



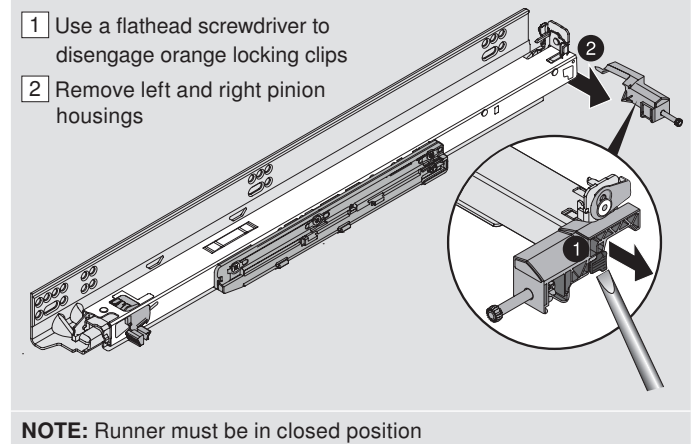
### Step 3 – Remove gear racks

- 1 Press locking pin on top of front and rear brackets
- 2 Slide left and right gear racks forward to remove



### Step 4 – Remove pinion housing

- 1 Use a flathead screwdriver to disengage orange locking clips
- 2 Remove left and right pinion housings



**NOTE:** Runner must be in closed position