

CORNER SPACES

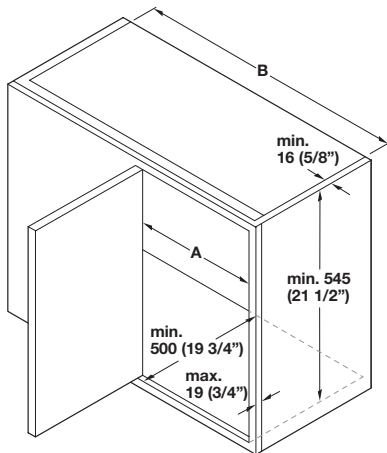
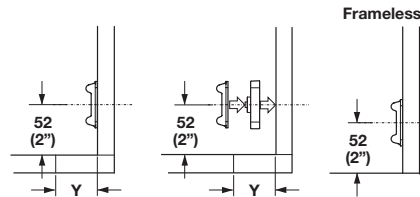


LeMans II

- With 20% more storage capacity than the original Lemans
- Innovative new mounting jig included; no measuring required for mounting of unit
- Full swing brings entire cabinet contents into the open
- Smooth combination of turning and swinging
- Height of door hinge must be considered
- Easily retrofitted into blind corners
- Shelves are height adjustable
- Maximum load per shelf: 55 lbs.

Note: Please consider if a shim is needed based on your application – see table below.

Use shim	Y= 0-19 (3/4")	Y= 20-25 (13/16"-1")
LeMans 45	1x	2x
LeMans 50	—	1x
LeMans 60	—	1x



Non Slip

Corner Pull-out Shelf – Adjustable Post

- For full height door and door/drawer applications
- Minimum door opening 85 degrees
- Internal cabinet height: min. 21"

Material: Shelf: melamine; Surround: steel



	Framed - A	Frameless - A	B
LeMans 45	min. 410 mm (16 1/8")	min. 435 mm (17 1/8")	min. 820 mm (32 1/4")
LeMans 50	min. 450 mm (17 3/4")	min. 475 mm (18 3/4")	min. 920 mm (36 1/4")
LeMans 60	min. 540 mm (21 1/4")	min. 565 mm (22 1/4")	min. 965 mm (38")

Model	Tray Size	Storage Capacity	Swing	Champagne/ Maple	Chrome/ Maple	Chrome/ White	Suggested Retail Price
Lemans 45	15"	723 sq.in.	right	541.32.445	541.32.145	541.32.745	\$870.00
Lemans 45	15"	723 sq.in.	left	541.32.446	541.32.146	541.32.746	\$870.00
Lemans 50	18"	884 sq.in.	right	541.32.450	541.32.150	541.32.750	\$870.00
Lemans 50	18"	884 sq.in.	left	541.32.451	541.32.151	541.32.751	\$870.00
Lemans 60	21"	1,057 sq.in.	right	541.32.460	541.32.160	541.32.760	\$870.00
Lemans 60	21"	1,057 sq.in.	left	541.32.461	541.32.161	541.32.761	\$870.00

Packing: 1 set (includes 2 trays, support arms, 1 post and template)

LeMans Restrictor Support

- Use to restrict opening of unit when opening path is obstructed

Material: plastic; Finish: champagne

Item No. 541.33.905 Suggested Retail Price \$9.00

Packing: 10 sets



Shim – optional

- Please note required dimensions for when shims are needed

Material: plastic; Color: gray

Item No. 541.32.506 Suggested Retail Price \$42.36

Packing: 1 pc.

