

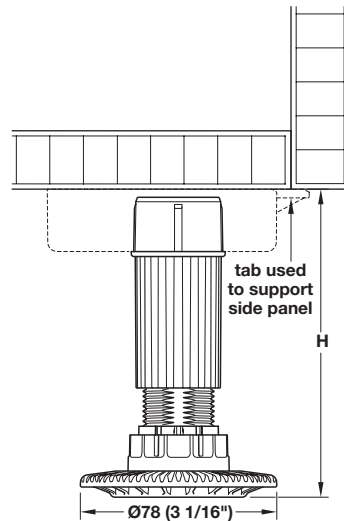
Mounting Plate, rectangular

Material: Plastic; Color: black

Mounting	Item No.
screw mount	637.76.341
press fit, 10 mm holes	637.76.334

Note

Order adjustment feet separately.

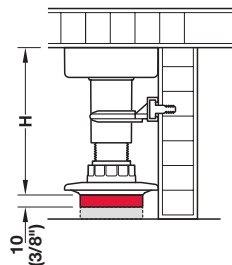
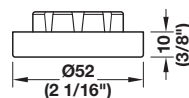


Adjustment Feet

- Plug fits into mounting plate
- Adjustable range:
 30 mm: -10 mm + 20 mm (1 3/16": -3/8" + 3/4")
- Heights includes mounting plate
- Easily adjusts up to 80 kg (176 lbs.)/foot
- Total weight capacity: 150 kg (330 lbs.)/foot

Material: Plastic; Color: black

Installation height H	Adjustment range	Item No.
60 (2 3/8")	53–80 (2 1/16"–3 1/8")	637.76.351
80 (3 1/8")	70–100 (2 3/4"–4")	637.76.352
100 (4")	90–120 (3 1/2"–4 3/4")	637.76.353
125 (4 15/16")	115–145 (4 1/2"–5 11/16")	637.76.354
150 (5 7/8")	140–170 (5 1/2"–6 11/16")	637.76.355
180 (7 1/16")	170–200 (6 11/16"–7 7/8")	637.76.356
200 (7 7/8")	190–220 (7 1/2"–8 11/16")	637.76.357



Spacer

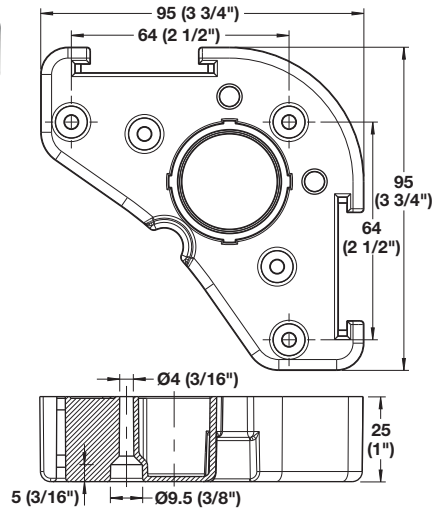
- Plugs into bottom of existing foot to add height
- Can be stacked

Material: Plastic

Color	Item No.
black	637.76.422

Dimensional data not binding. We reserve the right to alter specifications without notice.

AXILO™



Mounting Plate, Corner applications

- Screw mount

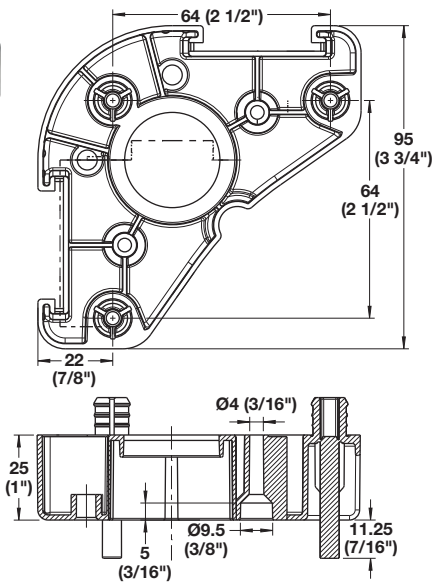
Material: Plastic

Color	Item No.
black	637.76.342

Note

Order adjustment feet separately.

6



Mounting Plate, Corner applications

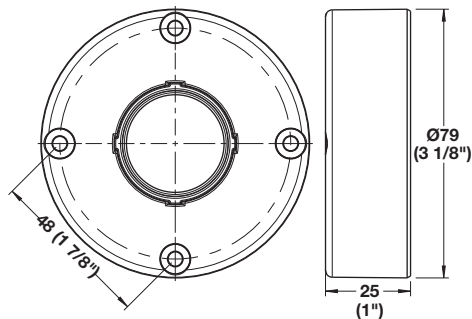
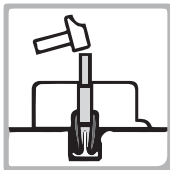
- Pound-in dowel mount - 10 mm

Material: Plastic

Color	Item No.
black	637.76.343

Note

Order adjustment feet separately.



Mounting Plate, Round

- Screw mount
- Used for general applications when support tabs and plinth clips are not required

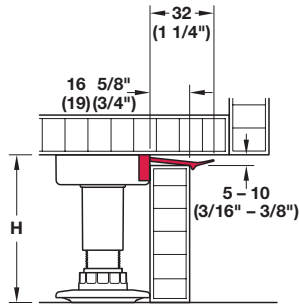
Material: Plastic

Color	Item No.
black	637.76.344

Note

Order adjustment feet separately.

Dimensions in mm
 Inches are approximate



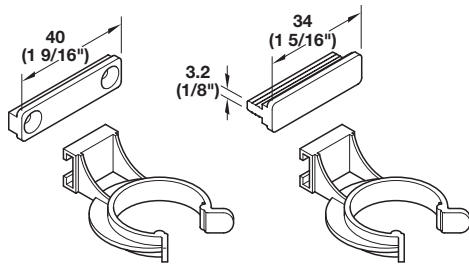
Plinth height = H - 5-10 mm (3/16"-3/8")

Plinth Holder

- For mounting the plinth panel
- Plug fits into mounting plates

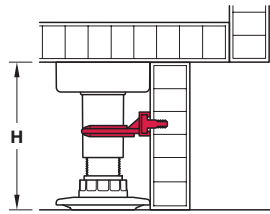
Material: Plastic

Panel thickness	Item No.
16 (5/8")	637.47.491
19 (3/4")	637.47.490



screw mount

groove mount



Plinth Clips

Material: Plastic

Mounting	Item No.
screw mount	637.38.054
groove mount	637.38.063

Note

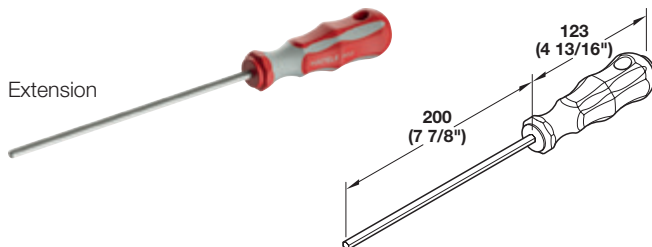
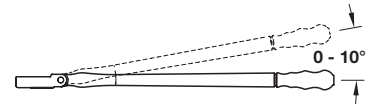
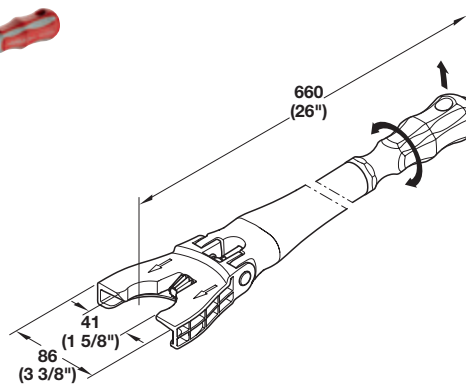
For use from installation height H = 80 mm (3 1/8").



Adjusting tool



Adjusting tool handle end and extension with 1/4" chuck



Extension

Adjusting Tool

- Chuck 1/4"
- For adjustment of AXILO 78 plinth system
- Adjustment angle height: 0-10°

Material: Plastic and Steel; Color: gray/red

Description	Item No.
AXILO™ adjusting tool	637.76.360
extension	637.76.361

Supplied With

1/4" Bit

Note

Adjust height by hand or with electric tool.

Dimensional data not binding. We reserve the right to alter specifications without notice.