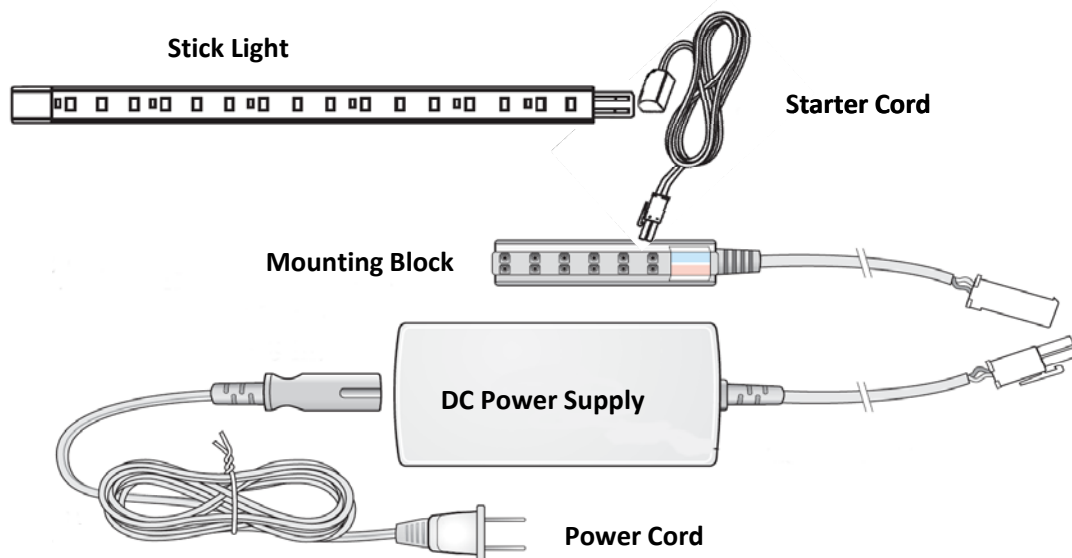


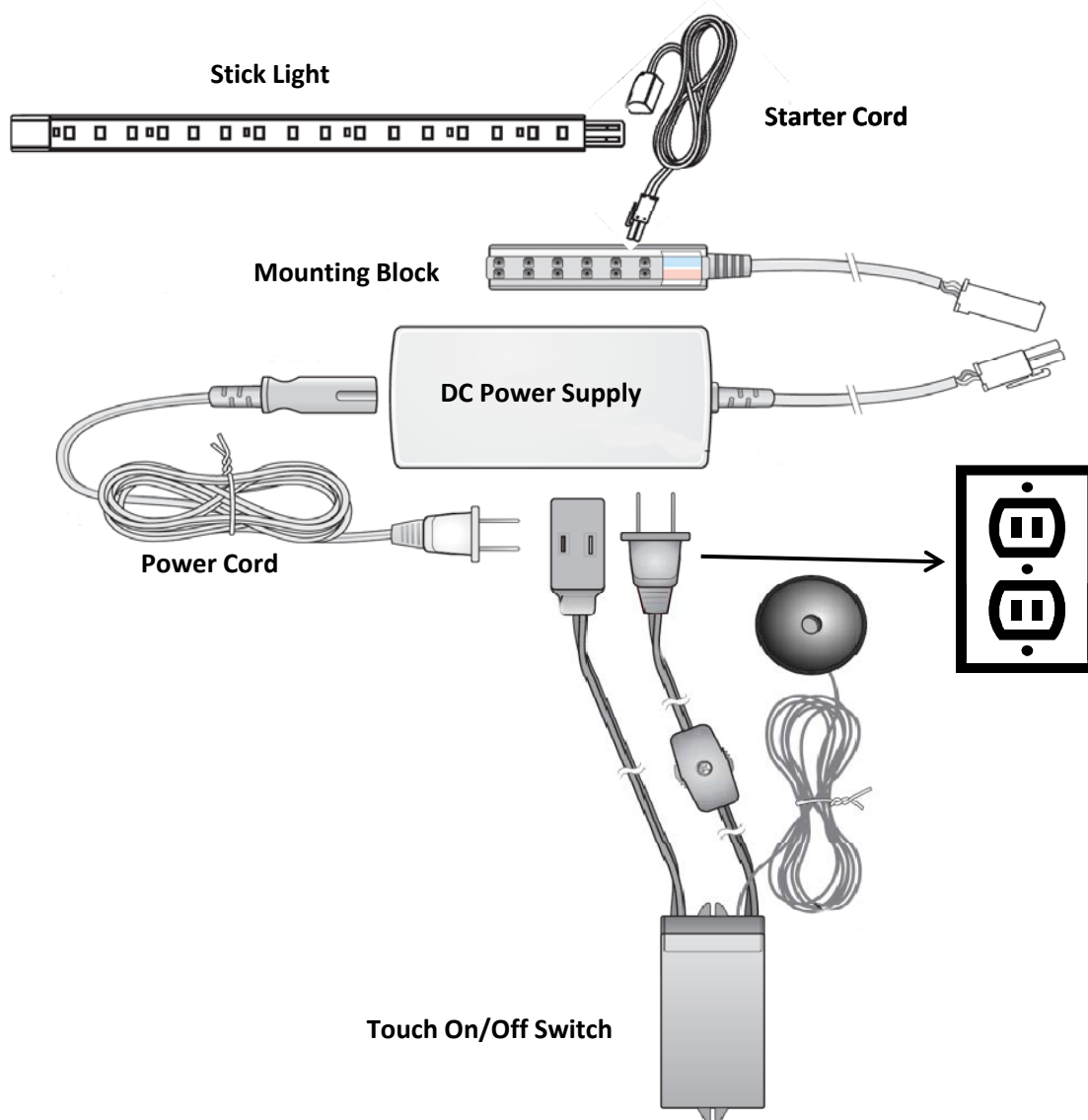
Fineline LED Buying Guide

Long and narrow, The Fineline is the easy way to provide smooth, linear lighting almost anywhere. The Finelines 3 lengths offer a wide range of installation options and features a frosted diffuser for perfect, even illumination.



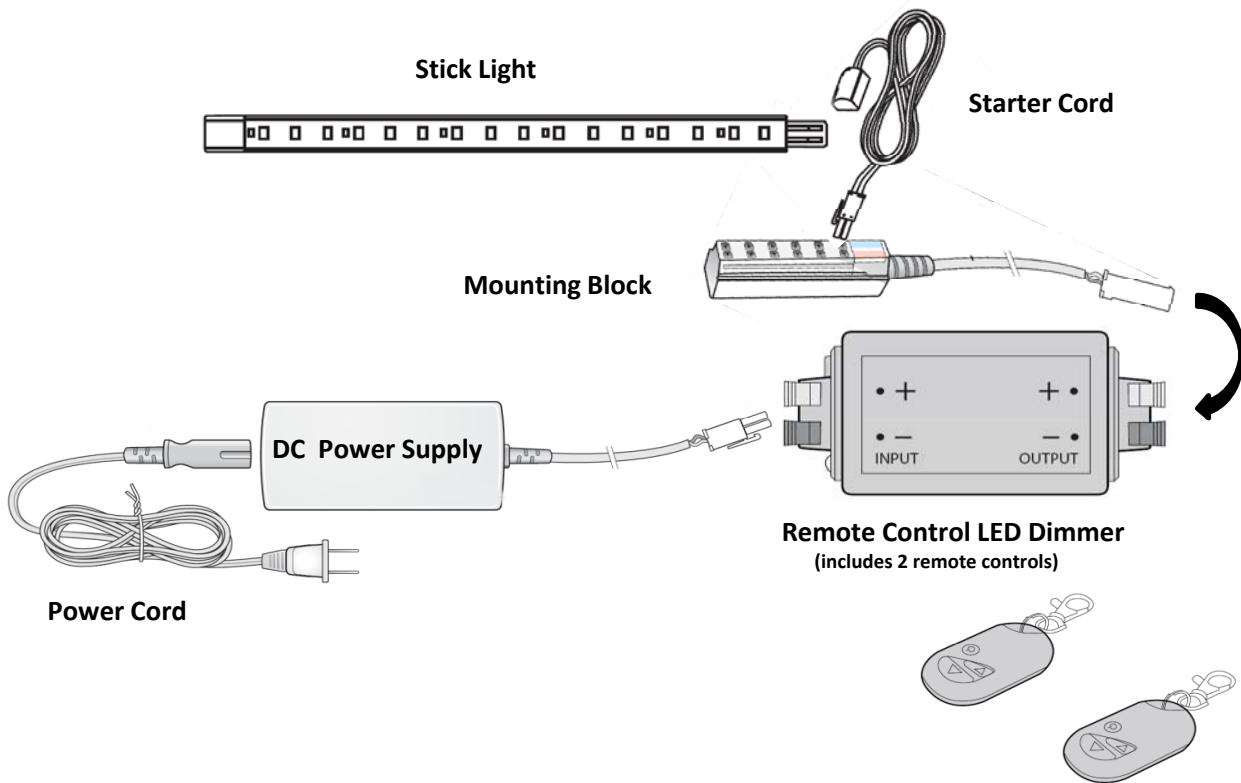
To design your Fineline lighting system, start with the fixture. We offer the Fineline in 3 lengths. To choose your required DC Power Supply, add up the wattage of each fixture. For three 8" Fineline strips, you would need a DC Power Supply of at least 4.8 watts.

Fineline LED Non-Dimming System



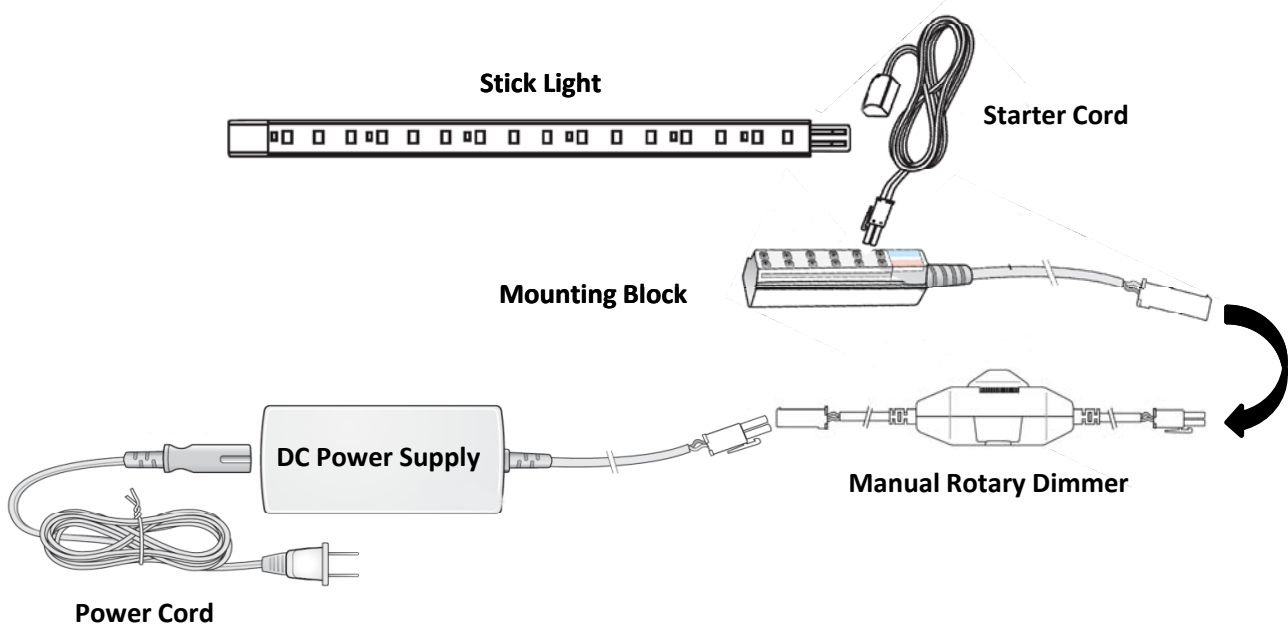
**You have several options for light level control with this system.
 To use the Touch On/Off Switch (TRS-TS2-72) simply plug the
 DC Power Supply into the outlet on the Touch On/Off Switch,
 plug the Touch On/Off Switch into the wall socket, and locate the touch
 pad in the desired location.**

FineLine Touch On/Off Switch System



You have several options for light level control with this system. To use the Remote Control Dimmer you will plug the power supply directly into the input ports on the Remote Control Dimmer. The mounting block will go on the output side of the Remote Control Dimmer, and the lights plug into the mounting block. This will control EVERY light in your system that is on the power supply.

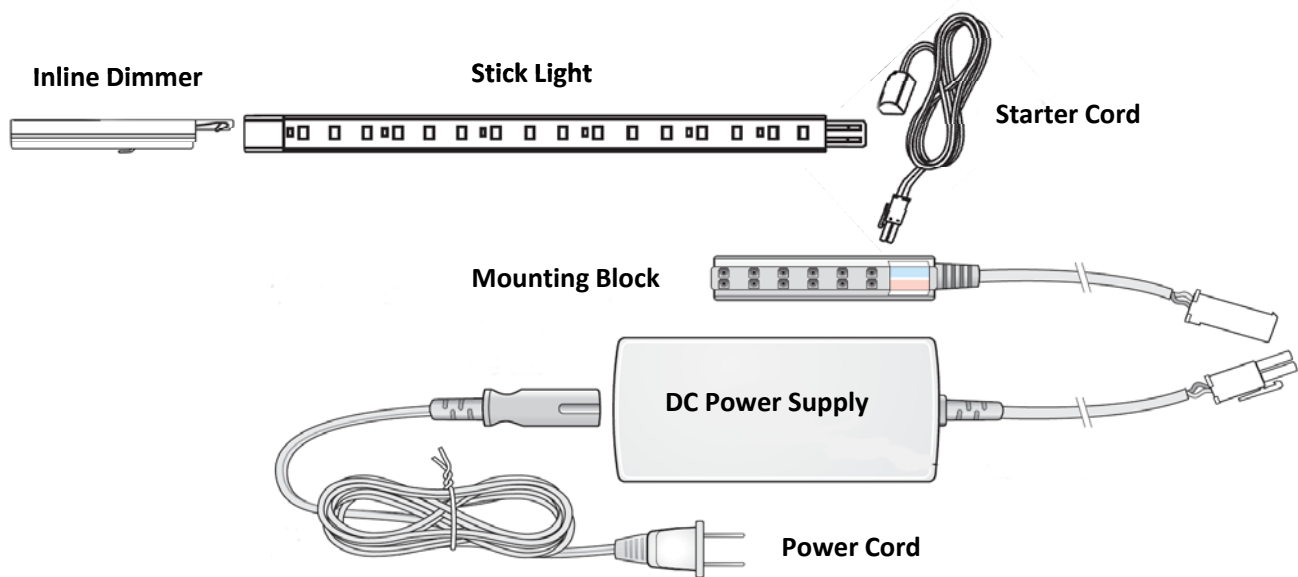
FineLine LED Remote Control Dimming System



You have several options for light level control with this system. To use the Manual Rotary Dimmer you will plug the power supply directly into the Manual Rotary Dimmer.

The mounting block will go on the output side of the Manual Rotary Dimmer, and the lights plug into the mounting block. This will control EVERY light in your system that is on the power supply.

FineLine LED Manual Rotary Dimming System



You have several options for light level control with this system.
To use the FineLine touch dimmer, you just connect directly into your run of FineLine light strips.
This 4 step inline dimmer will control up to 11 feet of lights. This will control EVERY light in your system that is on the power supply.

FineLine LED Inline Dimming System

Cabinet Parts .COM