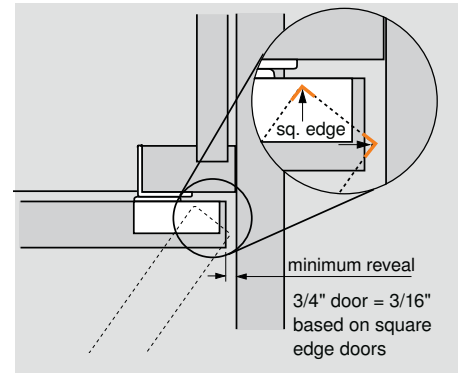




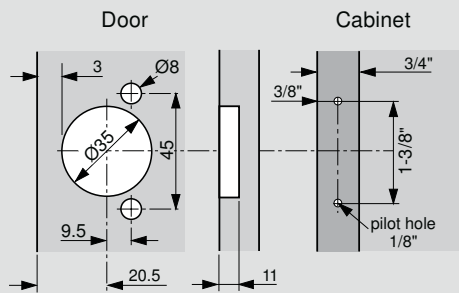
### Features

- 110° opening angle
- Two piece assembly
- Edge or face mount
- 1/2" cup depth
- +/- 9/64" height adjustment
- - 1/8" side adjustment only
- Can be used with BLUMOTION 971A9700
- Zinc die-cast hinge and mounting plates

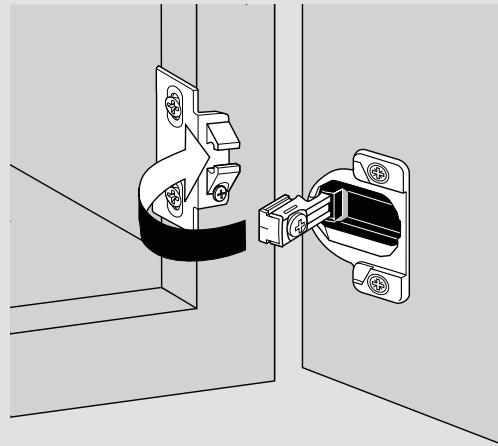
### Minimum reveal



### Boring pattern

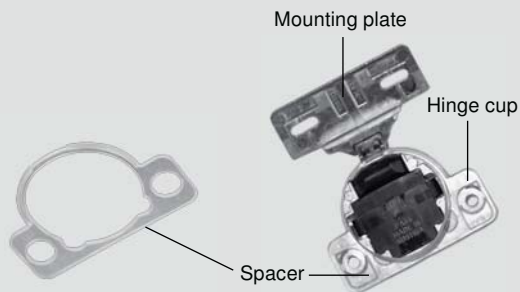


### Mounting



### COMPACT 33 spacer

- For use with profile or thin doors with a cup depth less than 13 mm
- 1.5 mm spacer placed under the hinge cup
- Clear nylon



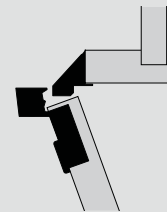
Part no.

COMPACT 33 spacer

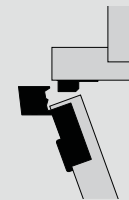
58.0890.1198

### Attachment options

#### Edge mount



#### Face mount



Overlay

Screw-on



Press-in

33.3600

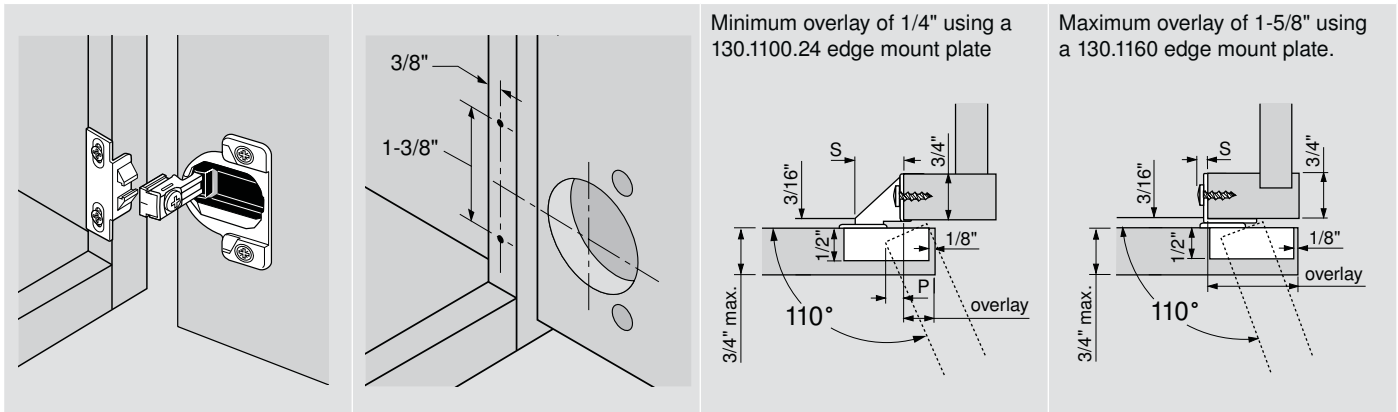
33.3630

### Installation screw

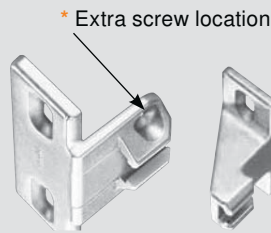
Wood screw

606N or 606P

## Edge mount specifications



## Edge mount mounting plates



- Zinc die-cast, nickel-plated
- Attaches with #6 x 5/8" wood screws (606N or 606P)
- Overlays from 1/4" to 1-5/8"

**NOTE:** An additional screw is required on mounting plates with 1-3/8" to 1-5/8" overlays to insure stability. Install after height adjustments have been made.

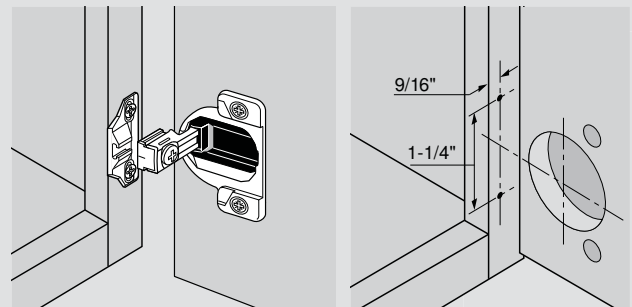
Overlay	Hinge arm protrusion (S)	Door protrusion (P)	Mounting plate
1/4"	1-1/8"	1/2"	130.1100.24
1/2"	7/8"	1/4"	130.1100.23
5/8"	3/4"	1/8"	130.1100.26
3/4"	5/8"	0	130.1100.22
1"	3/8"	0	130.1110.02
1-1/8"	1/4"	0	130.1120.02
1-1/4"	3/16"	0	130.1130.02
1-3/8" *	3/16"	0	130.1140.02
1-1/2" *	3/16"	0	130.1150.02
1-5/8" *	3/16"	0	130.1160

COMPACT

## Face mount mounting plates



- Zinc die-cast, nickel-plated
- Attaches with #6 x 5/8" wood screws (606N or 606P)
- Overlays 1-3/8" or greater



Overlay	Part no.
Face mount mounting plate	133.0240