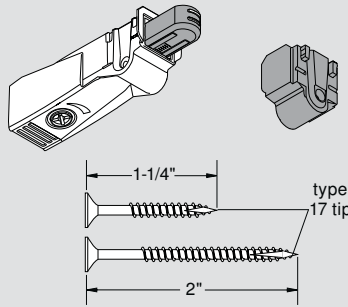


BLUMOTION 971A poly-bag set



Can be used for all COMPACT overlays

Set includes:

- BLUMOTION mechanism (971A9700)
- Spacer (971A9709)
- #8 x 1-1/4" type 17 wood screw
- #8 x 2" type 17 wood screw

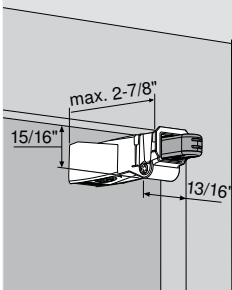
Part no.

Poly-bag set

971A9700.22

Full overlay

Full overlay — 1" or greater overlay



Part no.

BLUMOTION

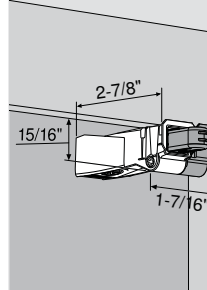
971A9700

Installation screw (1-1/4")

8114Z

Partial overlay

Partial overlay — less than 1" overlay



Part no.

BLUMOTION

971A9700

Spacer

971A9709

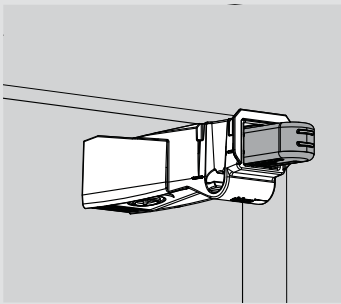
Installation screw (2")

8200Z

Specifications

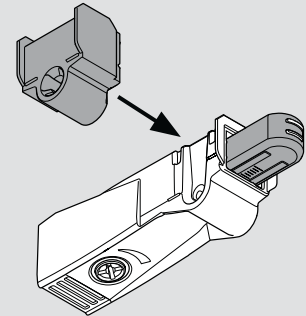
Mounting

BLUMOTION for doors mounts anywhere on the hinge-side stile of the cabinet using a 1-1/4" screw or 2" screw when using spacer.



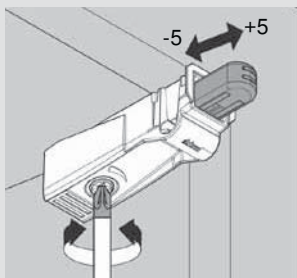
Attachment of partial overlay spacer

The partial overlay spacer snaps onto the side of the BLUMOTION for easier mounting.



Adjustment

Use a Phillips or POZI screwdriver to adjust the contact point in or out (+5/-5 mm). Adjust out for larger, heavier doors or in for smaller, lighter doors.



BLUMOTION per door

- For optimum BLUMOTION effect, one BLUMOTION 971A should be installed for most applications
- Tall or heavy doors may require an additional BLUMOTION 971A
- Trial application recommended

■ BLUMOTION 971A
● Hinges

