



MOVENTO

The Evolution of Motion

blum.com

 **blum**[®]

MOVENTO

MOVENTO is the latest advancement in concealed runner technology. It brings together all of the features, innovations and benefits that Blum has developed since first manufacturing drawer runners in the 1960s.

TIP-ON BLUMOTION for MOVENTO is a solution which combines the advantages of both TIP-ON and BLUMOTION, for wood drawers. This combination ensures that drawers open with just a light touch, have a smooth running action, and a silent and effortless closing action.

 **blum**



Contents

MOVENTO

- 4** General Specifications
- 6** Using MOVENTO
- 8** MOVENTO 763. Standard Duty
- 10** MOVENTO 769. Heavy Duty
- 12** TIP-ON BLUMOTION for MOVENTO
- 19** Bottom Mount Drawer – Standard Duty
- 20** Lateral Stabilizer for 763./769.
- 22** Inset Drawer
- 24** Locking Devices
- 25** Assembly Aids
- 26** Waste/Recycle Drawer with Motion Technologies
- 28** Bottom Mount Drawer – Heavy Duty
- 30** ORGA-LINE Accessories
- 33** Part Number Index

MOVENTO



Complete Runner System

- Designed to be used with TIP-ON BLUMOTION touch-to-open system
- Full extension concealed runners with BLUMOTION soft close
- Zinc-coated steel
- Concealed roller carriage with permanently lubricated synthetic rollers
- Available in standard and heavy duty
- Designed for drawers using 5/8" drawer material thickness
- Bottom mount holes on 763. standard duty
- Elongated holes for depth adjustment
- Tool-free tilt adjustment
- Tool-free height adjustment
- Tool-free rear side-to-side adjustment

Locking Devices

- Stamped steel base with synthetic, spring-loaded release levers
- Captive right device, self-aligning left device
- Self-adjusting drawer length tolerance
- Tool-free front side-to-side adjustment
- Available for narrow drawers

TIP-ON BLUMOTION

- Enables MOVENTO drawers to be opened with just a light touch of the drawer front and retain BLUMOTION soft closing action
- Fully mechanical motion
- Can be used with or without pulls

One Runner for All Applications

MOVENTO runners are designed for the American 3" increment cabinet depth system. Installation is possible in frameless or blocked-out face frame cabinets.

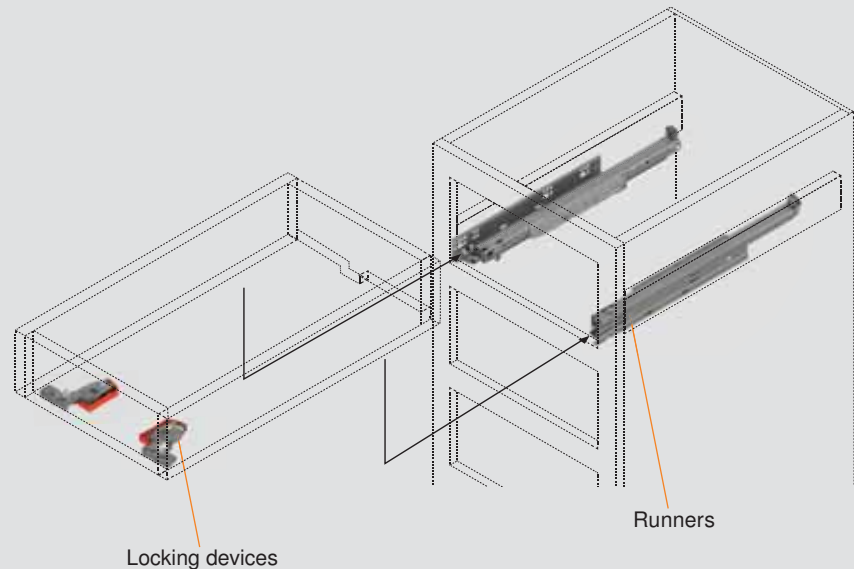
Load Capacities

- 125 lb static for MOVENTO 763. standard duty series
- 170 lb static for MOVENTO 769. heavy duty series

General Specifications

Drawer components

NOTE: For 763. and 769. series, rear brackets and sockets cannot be used. Cabinet sides must be blocked-out flush with the inside of the face frame.



Locking devices

Locking devices allow easy insertion and removal of drawers.



page 24

Concealed Runner Template

A required assembly aid for the pre-boring of MOVENTO locking device screw holes and rear hook holes.



page 25

TIP-ON BLUMOTION

TIP-ON BLUMOTION is a fully mechanical touch-to-open solution combined with the soft close of BLUMOTION.



page 12 - 15

Front gap template

Using the 65.5632.US front gap template is highly recommended. Adjust both sides.

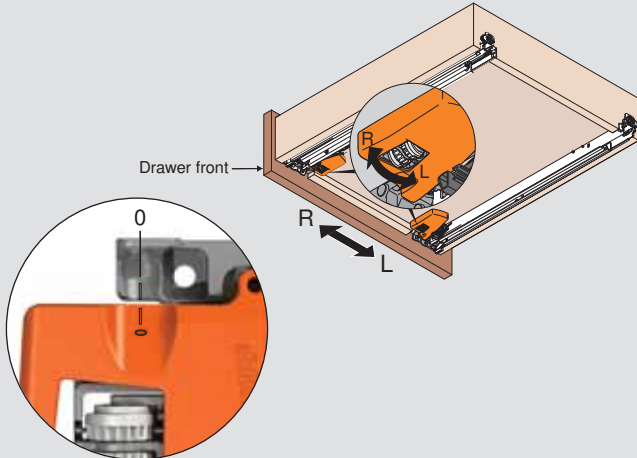


page 15

Front side-to-side adjustment

- 1 Rotate side-to-side adjustment left or right equally on both locking devices. Drawer front moves in the same direction as rotation.

T51.7601.xx with side-to-side adjustment

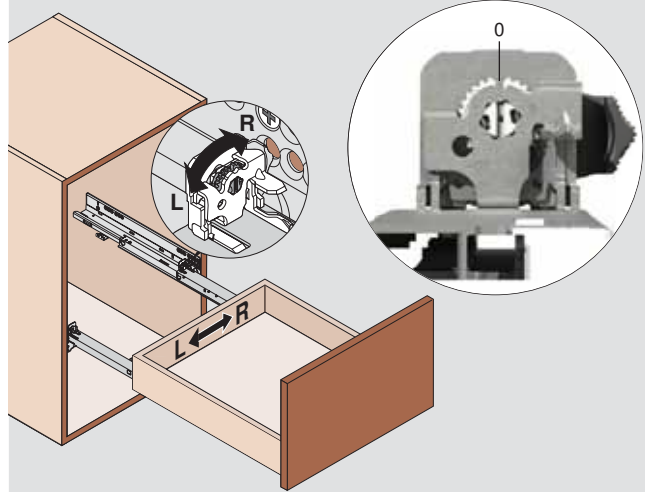


Maximum 1.5 (1/16") to left or right (tool-free)

NOTE: Not available on T51.0501.20 narrow locking devices

Rear side-to-side adjustment

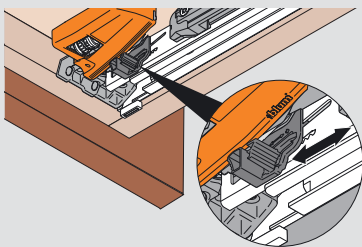
- 2 After front side-to-side adjustment is made with the locking devices, rotate the rear side-to-side adjustment left or right to re-align the back of the drawer box with the front. Drawer back moves in the same direction as rotation.



Maximum 1.5 (1/16") to left or right (tool-free)

Height adjustment

Press up on adjustment tab and push toward back of drawer.



Maximum 3 (1/8") rise of drawer front (tool-free)

NOTE: Height adjustment available on all MOVENTO runners

Tilt adjustment

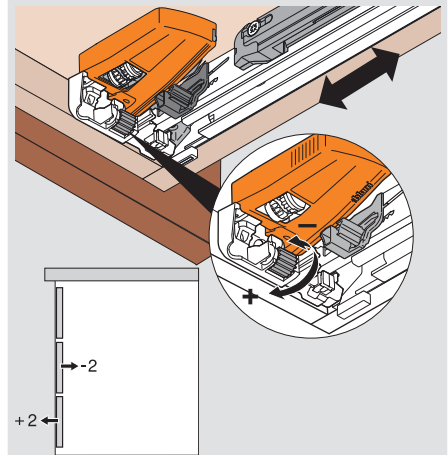
Rotate the tilt adjustment lever on the rear of each runner to tilt the top of the drawer front forward



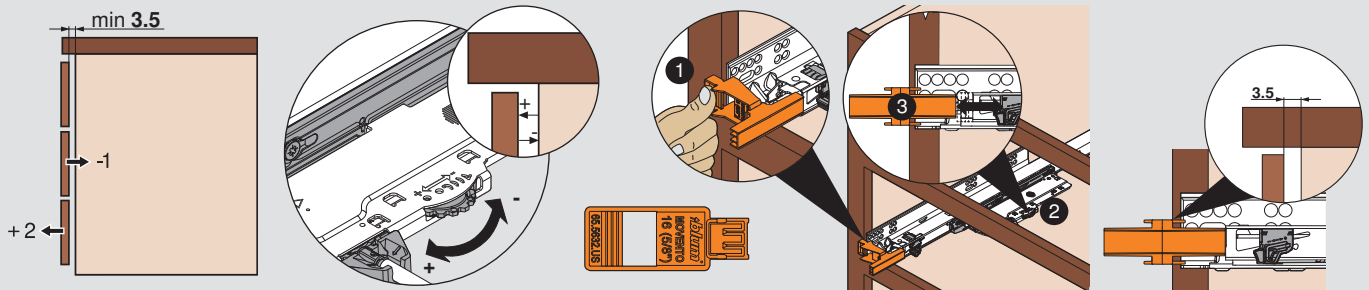
Maximum 5 (3/16") rise of drawer back (tool-free)

Add-on depth adjustment

Not for use with TIP-ON BLUMOTION



TIP-ON BLUMOTION depth adjustment



NOTE: Using the 65.5632.US front gap template is highly recommended. Adjust left and right runner.

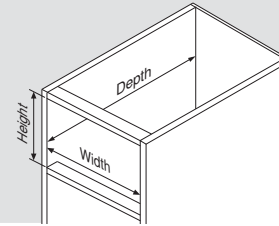
Step 1

Measure cabinet opening

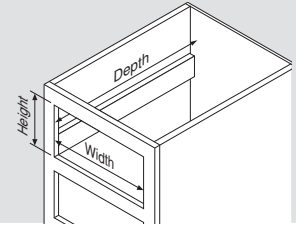
Cabinet opening measurements are needed to determine drawer box size.

NOTE: In face frame applications, cabinet sides must be blocked-out flush with the inside of the face frame.

Frameless Cabinet



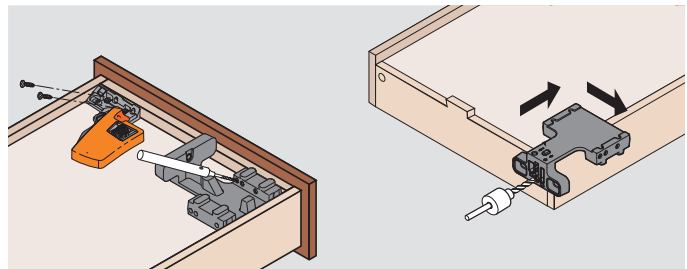
Frame Cabinet



Step 2

Preparing drawer boxes

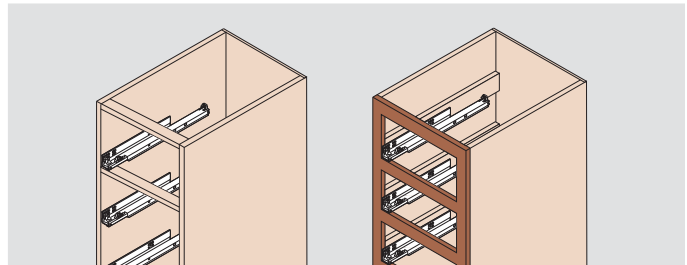
Build drawers according to the specifications given for the MOVENTO runners you chose and the measurements determined in Step 1. Install appropriate locking devices and bore holes to accept rear hooks.



Step 3

Attach runners to cabinet

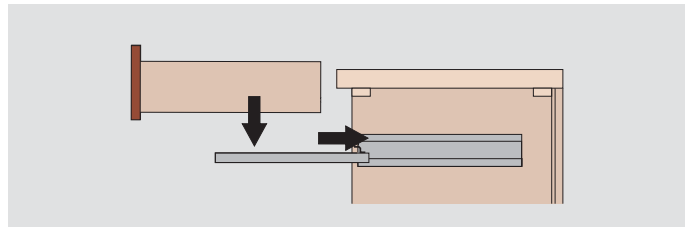
Using the mounting information given for the MOVENTO runners you chose, mount the MOVENTO runners in the cabinet.



Step 4

Insert drawers

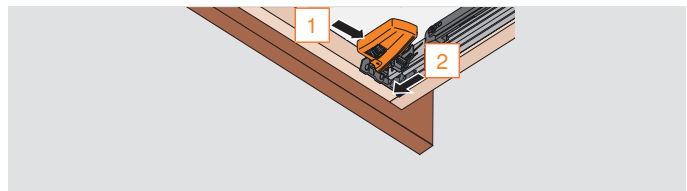
Extend the runners fully. Place the drawer on the runners and close. The locking devices automatically engage with the runners. Make adjustments if necessary.



Step 5

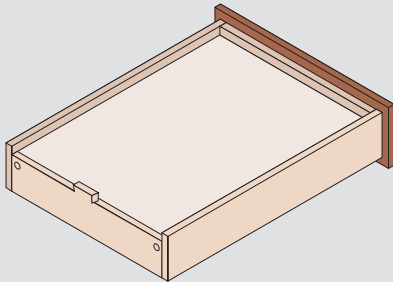
Drawer removal

Squeeze orange handles on locking devices and pull drawer straight out and up.



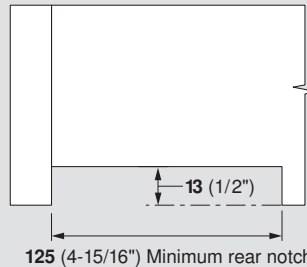
Rear Notching

Dimensions



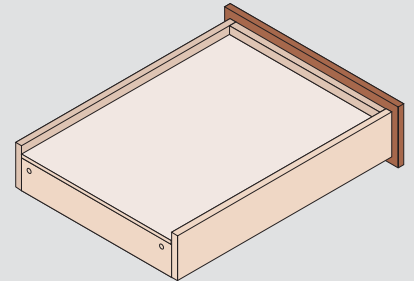
Drawers must be notched in the back to accommodate MOVENTO runners

Rear view



The notches must be flush with the drawer sides and bottoms

Option – no notching

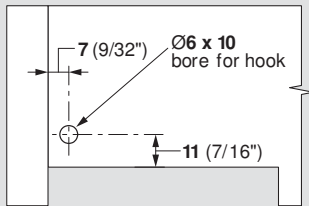


Make the back panel shorter and extend the drawer bottom to the back of the drawer

Rear Boring

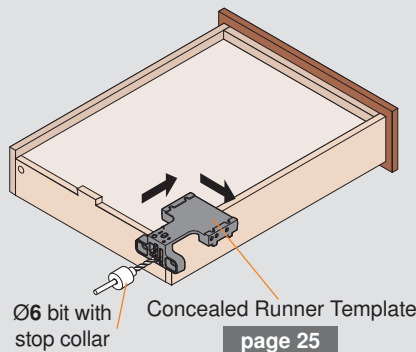
Dimensions

Rear view



Drawers require Ø6 holes bored on each side of the back panel to accept the hooks on the back of MOVENTO runners

Boring

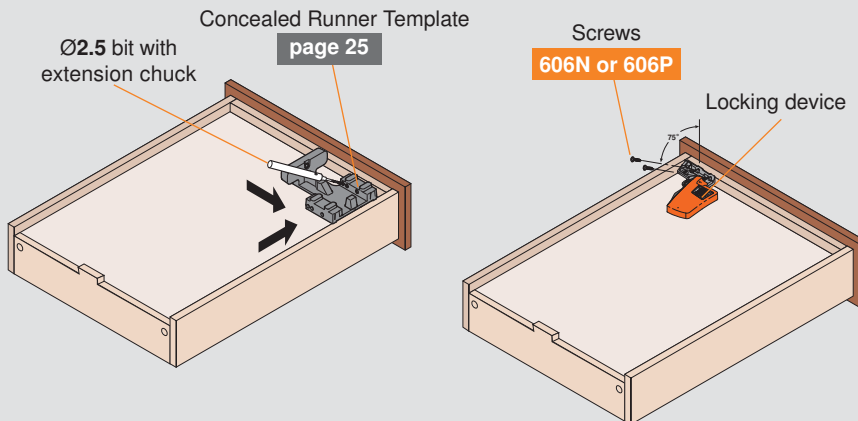


- 1 Place template over the drawer side
- 2 Position template so that the center rib rests against the inside face of the drawer side
- 3 Set stop collar on Ø6 bit so that it will bore 10 (13/32") deep
- 4 Hold template firmly and bore hole
- 5 Repeat on other side

NOTE: Using the T65.1600.01 Concealed Runner Template is highly recommended

Locking Devices

Installation



- 1 Position the Ø2.5 drill bit into the extension chuck so that it will bore 10 (13/32") deep
- 2 Place template into the front corner of the drawer
- 3 Bore two holes and repeat on other side
- 4 Attach locking devices with #6 x 5/8" deep thread wood screws (606N or 606P)

NOTE: The mounting screws must go in at a precise angle and the locking device must fit flush to the drawer bottom to ensure proper function of the complete drawer system

NOTE: Using the T65.1600.01 Concealed Runner Template is highly recommended



Application



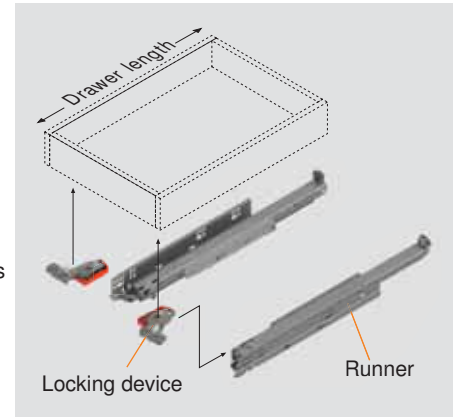
Features

- Four-dimensional adjustment
- Elongated holes for depth adjustment
- Bottom mount holes
- 125 lb static load capacity

Description

- Designed to be used with TIP-ON BLUMOTION touch-to-open system
- Full extension concealed runners
- Frameless or blocked-out face frame cabinets
- BLUMOTION soft closing
- MOVENTO smooth running action
- Available in 12" to 21" lengths
- 16 (5/8") drawer thickness

Basic Components



Components

Runner set

One set required per drawer



For overall cabinet depth	Drawer length	MOVENTO
610 (24")	533 (21")	763.5330M
533 (21")	457 (18")	763.4570M
457 (18")	381 (15")	763.3810M
381 (15")	305 (12")	763.3050M
Wood screw for installation		606N or 606P
System screw for installation		662.1150.HG

Standard locking device with side-to-side adjustment



- One right and one left required per drawer
- Captive right and self-aligning left device
- Self-adjusting drawer length tolerance
- Steel base with synthetic, spring-loaded release levers
- Minimum inside drawer width 170 (6-11/16")
- Side-to-side adjustment ±1.5 (1/16")
- For use with MOVENTO runners only
- For other options see page 22

Part no.

Right locking device **T51.7601 R**

Installation Left locking device **T51.7601 L**

page 7 Installation screw **606N or 606P**

TIP-ON BLUMOTION

- Enables MOVENTO drawers to be opened with just a light touch of the drawer front and retain BLUMOTION soft closing action
- Fully mechanical motion
- Can be used with or without pulls
- Minimum inside drawer width 281 (11-1/16")



TIP-ON Unit and Trigger



Synchronization



Front gap template

page 12 - 15

Drawer and Cabinet Specifications

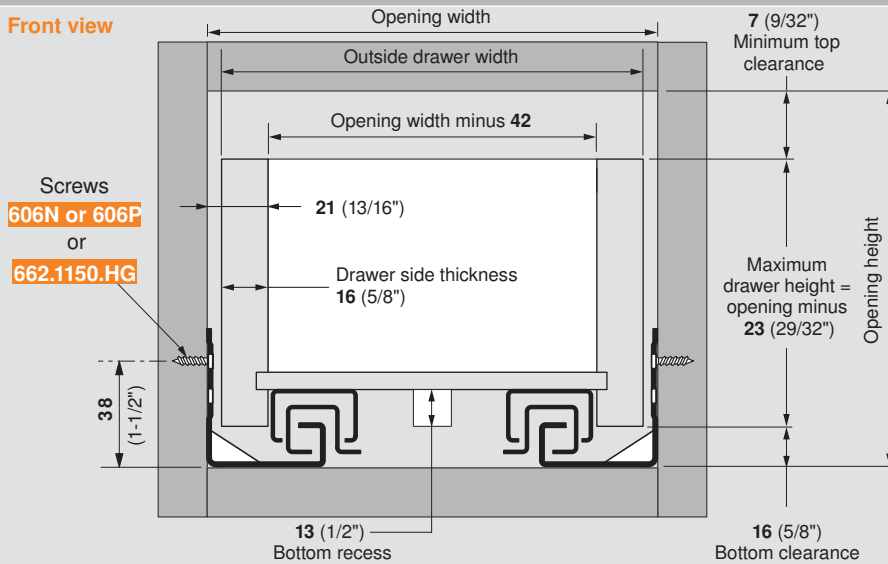
Drawer thickness	16 (5/8")
Lengths available	12" - 21"
Static load capacity	125 lb

MOVENTO



Drawer box specifications

Front view



NOTE: Drawer side material thickness may vary. Accurate measurement of drawer side material thickness should be used when calculating outside drawer width using the table below. Inside drawer width **must** equal opening width minus 42 (1-21/32") for MOVENTO runners to align and function optimally.

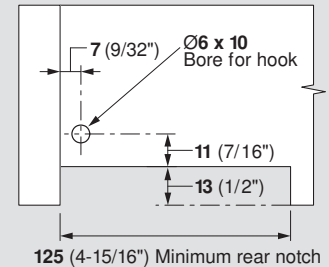
Calculating outside drawer width

For drawer side thickness	16 (5/8")
Deduct from opening width	10 (13/32")

Example: For 21" opening width and a 5/8" thick drawer, 21" minus 13/32" = 20-19/32" drawer width

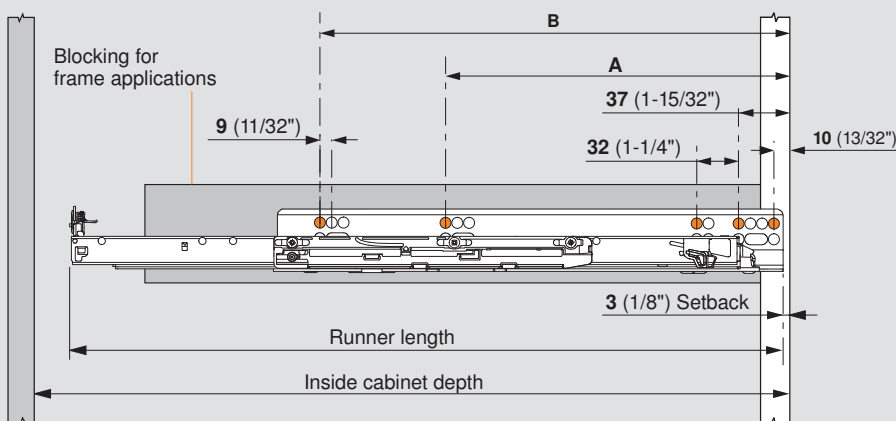
Drawer back preparation

Rear view

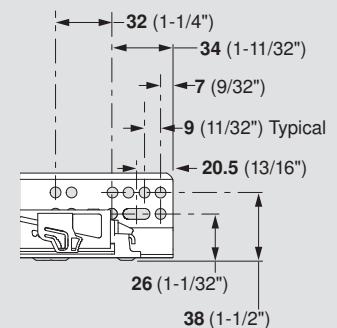


Runner mounting specifications

Side view



Runner close-up



NOTE: Elongated holes are for ±4.5 (3/16") depth adjustment only. Additional screws must be used to secure the runner to the cabinet.

NOTE: The orange dots indicate fixing screw locations required to meet specified load ratings

MOVENTO	Drawer length	Minimum inside cabinet depth	Runner length	Screw location	
				A	B
763.5330M	533 (21")	553 (21-13/16")	544 (21-7/16")	261 (10-9/32")	357 (14-1/16")
763.4570M	457 (18")	477 (18-13/16")	468 (18-7/16")	261 (10-9/32")	357 (14-1/16")
763.3810M	381 (15")	401 (15-13/16")	392 (15-7/16")	165 (6-1/2")	357 (14-1/16")
763.3050M	305 (12")	325 (12-13/16")	316 (12-7/16")	165 (6-1/2")	261 (10-9/32")

MOVENTO



MOVENTO 769. Heavy Duty

Application



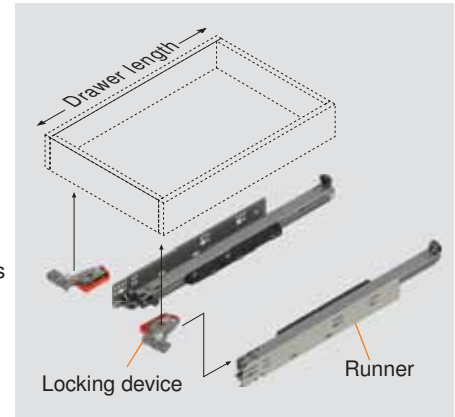
Features

- Four-dimensional adjustment
- Elongated holes for depth adjustment
- 170 lb static load capacity

Description

- Designed to be used with TIP-ON BLUMOTION touch-to-open system
- Full extension concealed runners
- Frameless or blocked-out face frame cabinets
- BLUMOTION soft closing
- MOVENTO smooth running action
- Available in 18" to 24" lengths
- 16 (5/8") drawer thickness

Basic Components



Components

Runner set

One set required per drawer



For overall cabinet depth	Drawer length	MOVENTO
686 (27")	610 (24")	769.6100M
610 (24")	533 (21")	769.5330M
533 (21")	457 (18")	769.4570M
Wood screw for installation		606N or 606P
System screw for installation		662.1150.HG

Standard locking device with side-to-side adjustment



- One right and one left required per drawer
- Captive right and self-aligning left device
- Self-adjusting drawer length tolerance
- Steel base with synthetic, spring-loaded release levers
- Minimum inside drawer width 170 (6-11/16")
- Side-to-side adjustment ± 1.5 (1/16")
- For use with MOVENTO runners only
- For other options see page 22

Part no.

Right locking device **T51.7601 R**

Installation Left locking device **T51.7601 L**

page 7 Installation screw **606N or 606P**

TIP-ON BLUMOTION

- Enables MOVENTO drawers to be opened with just a light touch of the drawer front and retain BLUMOTION soft closing action
- Fully mechanical motion
- Can be used with or without pulls
- Minimum inside drawer width 281 (11-1/16")



TIP-ON Unit and Trigger



Synchronization



Front gap template

page 12 - 15

Drawer and Cabinet Specifications

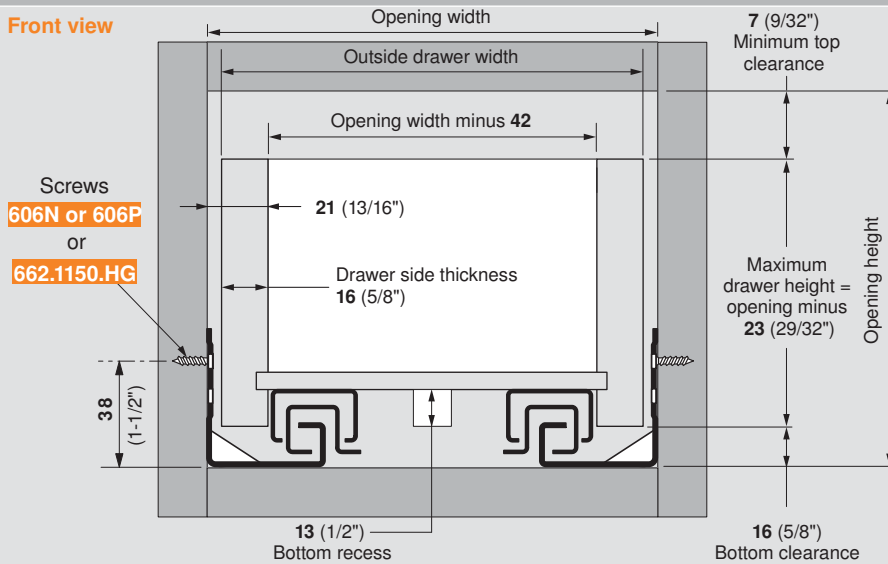
Drawer thickness	16 (5/8")
Lengths available	18" - 24"
Static load capacity	170 lb

MOVENTO



Drawer box specifications

Front view



NOTE: Drawer side material thickness may vary. Accurate measurement of drawer side material thickness should be used when calculating outside drawer width using the table below. Inside drawer width **must** equal opening width minus 42 (1-21/32") for MOVENTO runners to align and function optimally.

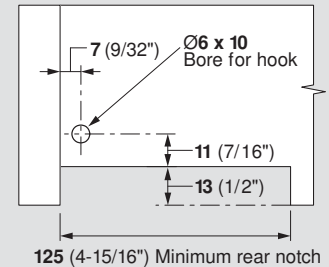
Calculating outside drawer width

For drawer side thickness	16 (5/8")
Deduct from opening width	10 (13/32")

Example: For 21" opening width and a 5/8" thick drawer, 21" minus 13/32" = 20-19/32" drawer width

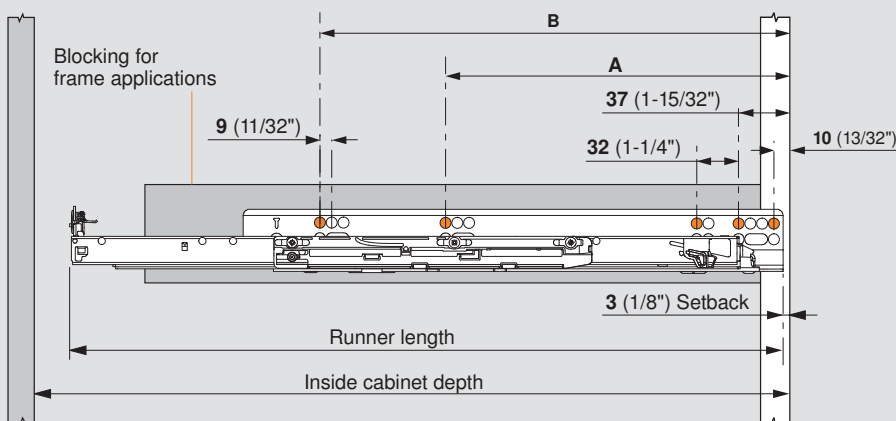
Drawer back preparation

Rear view

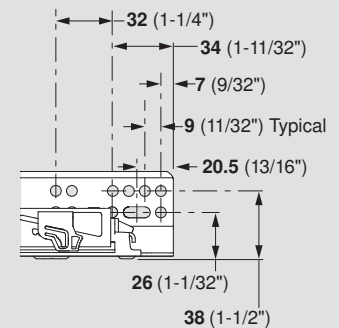


Runner mounting specifications

Side view



Runner close-up



NOTE: Elongated holes are for ±4.5 (3/16") depth adjustment only. Additional screws must be used to secure the runner to the cabinet.

NOTE: The orange dots indicate fixing screw locations required to meet specified load ratings

MOVENTO	Drawer length	Minimum inside cabinet depth	Runner length	Screw location	
				A	B
769.6100M	610 (24")	630 (24-13/16")	621 (24-7/16")	261 (10-9/32")	389 (15-5/16")
769.5330M	533 (21")	553 (21-13/16")	544 (21-7/16")	261 (10-9/32")	357 (14-1/16")
769.4570M	457 (18")	477 (18-13/16")	468 (18-7/16")	261 (10-9/32")	357 (14-1/16")



Simple, tool-free assembly

The TIP-ON BLUMOTION unit can be assembled tool-free



Reliable Function

TIP-ON BLUMOTION remains functional at all times. Even if the drawer is manually pulled open or pushed closed, TIP-ON BLUMOTION works great the next time it's needed.

TIP-ON BLUMOTION for MOVENTO

TIP-ON BLUMOTION for MOVENTO provides flexibility by offering the TIP-ON BLUMOTION unit in four different strengths.

Use the table below to select the appropriate unit and trigger by finding your drawer runner length and estimating the total weight of the drawer when loaded. A synchronization rod is recommended for all cabinet widths for optimal function.



MOVENTO	TIP-ON BLUMOTION Units and Triggers	
	Standard Duty	 S1 – Light gray <input type="checkbox"/>
	Standard Duty	 L1 – Light gray <input type="checkbox"/>
	Standard Duty	 L3 – Dust gray <input checked="" type="checkbox"/>
	Heavy Duty	 L5 – Black <input checked="" type="checkbox"/>

Optimal Opening and Closing Function

Drawer length	Unit	Total weight of drawer, when loaded						
		<22 lb	44 lb	66 lb	88 lb	110 lb	132 lb	155 lb
305 (12")	S1	0 - 44 lb						
381 (15") — 533 (21")	L1	0 - 44 lb						
381 (15") — 533 (21")	L3			44 - 88 lb				
457 (18") — 610 (24")	L5					88 - 155 lb		

MOVENTO



TIP-ON BLUMOTION for MOVENTO

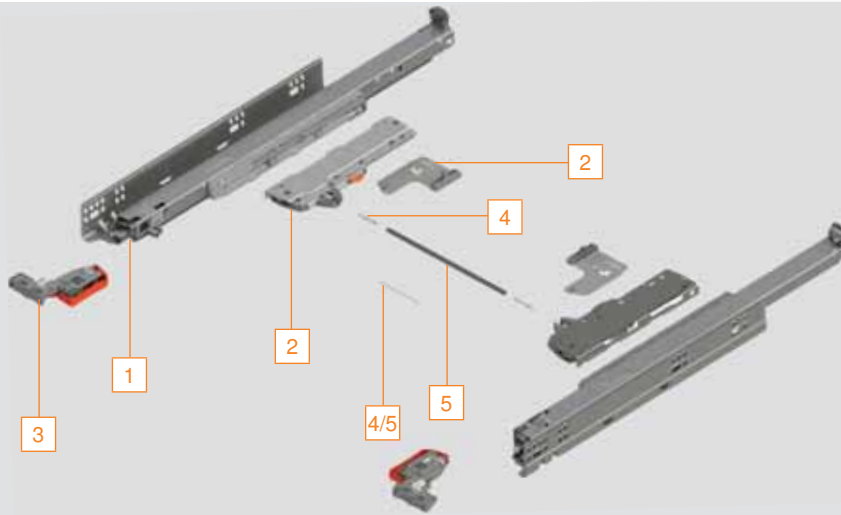
Application



Description

- Enables MOVENTO drawers to be opened with just a light touch of the drawer front
- Same installation dimensions as MOVENTO
- Fully mechanical motion
- Smooth running action
- Four-dimensional adjustment
- Load capacity of runner remains unchanged
- Can be used with or without pulls

Components



NOTE: Parts identified below and on the next page

TIP-ON BLUMOTION for MOVENTO

Sets include:

- Left and right MOVENTO runners
- Left and right TIP-ON units and triggers

1 Left and right MOVENTO runners




2 Left and right TIP-ON unit and trigger



For overall cabinet depth	Drawer length	Dynamic load capacity		S1	L1	L3	L5
		110 lb	155 lb	0 - 44 lb	0 - 44 lb	44 - 88 lb	88 - 155 lb
686 (27")	610 (24")		769.6100M				T60L7570
610 (24")	533 (21")	763.5330M	769.5330M		T60L7340	T60L7540	T60L7570
533 (21")	457 (18")	763.4570M	769.4570M		T60L7340	T60L7540	T60L7570
457 (18")	381 (15")	763.3810M			T60L7340	T60L7540	
381 (15")	305 (12")	763.3050M		T60L7140			
Installation wood screw		606N or 606P					
Installation system screw		662.1150.HG					

Standard locking device with side-to-side adjustment

3




- One right and one left required per drawer
- Captive right and self-aligning left device
- Self-adjusting drawer length tolerance
- Steel base with synthetic, spring-loaded release levers
- Minimum inside drawer width **170** (6-11/16")
- Side-to-side adjustment ± 1.5 (1/16")
- For use with MOVENTO runners only
- For other options see page 22

Part no.

	Right locking device	T51.7601 R
Installation	Left locking device	T51.7601 L
page 7	Installation screw	606N or 606P

TIP-ON BLUMOTION for MOVENTO front gap template




- For creating a **3.5** (1/8") front gap

Part no.

		65.5632.US
--	--	-------------------

TIP-ON BLUMOTION synchronization

4




- To be used with the optional synchronization rod
- Two needed per application

Part no.

	Synchronization adapters	T60.000D
--	--------------------------	-----------------

5




- Opening width:
Minimum = **314** (12-3/8")
Maximum = **1385** (54-1/2")
- Length **1118** (44-1/32"), cut to size

Part no.

	Synchronization rod	T60L1118W
--	---------------------	------------------

TIP-ON BLUMOTION synchronization for narrow applications

4/5

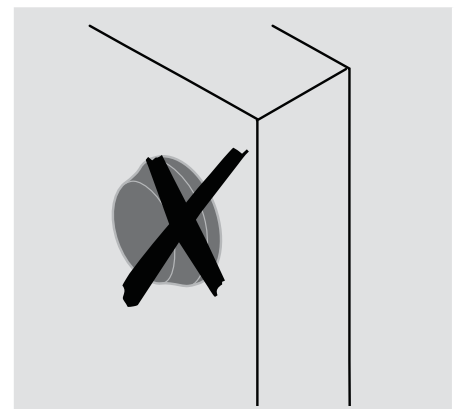


- Opening width:
Minimum = **281** (11-1/16")
Maximum = **305** (12")
- Length **64** (2-1/2"), cut to size

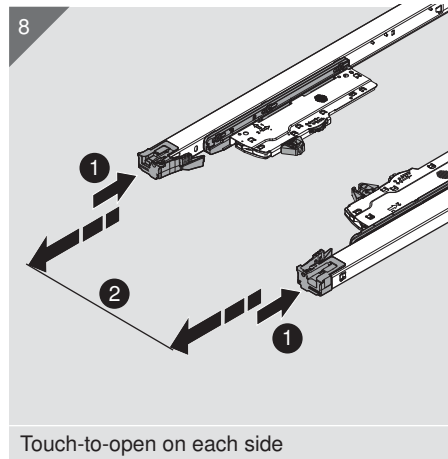
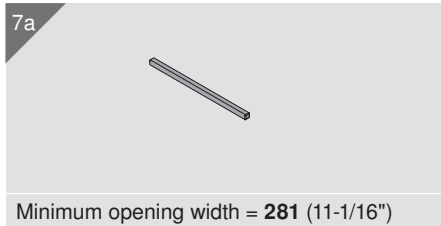
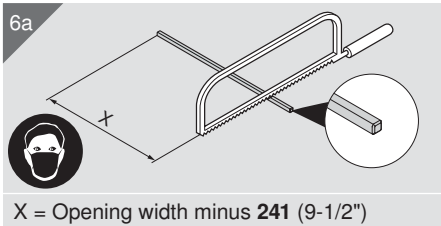
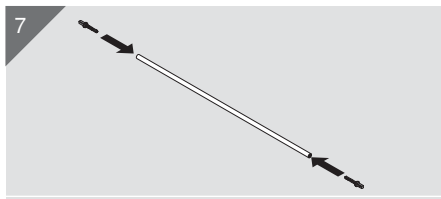
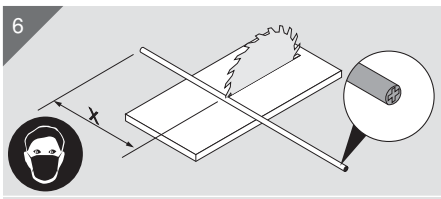
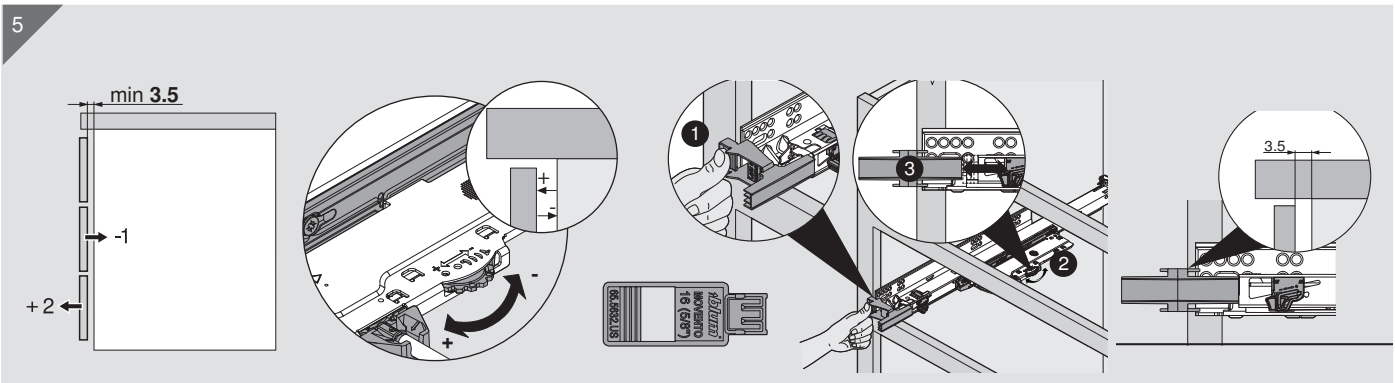
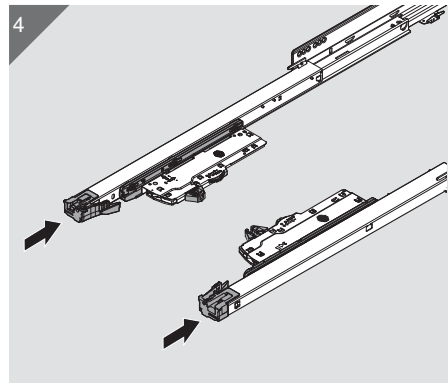
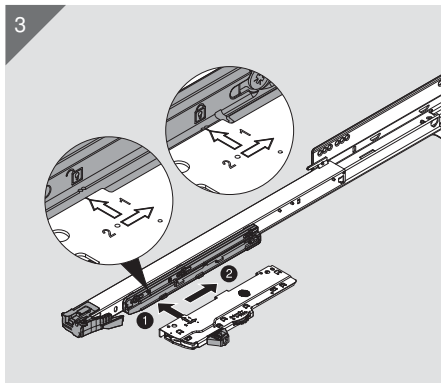
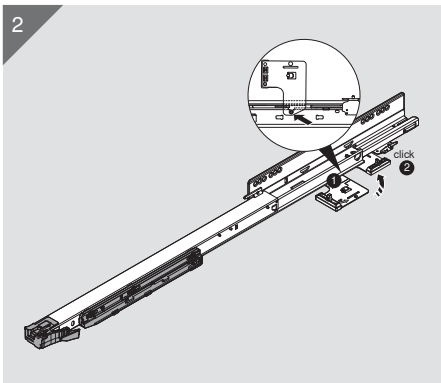
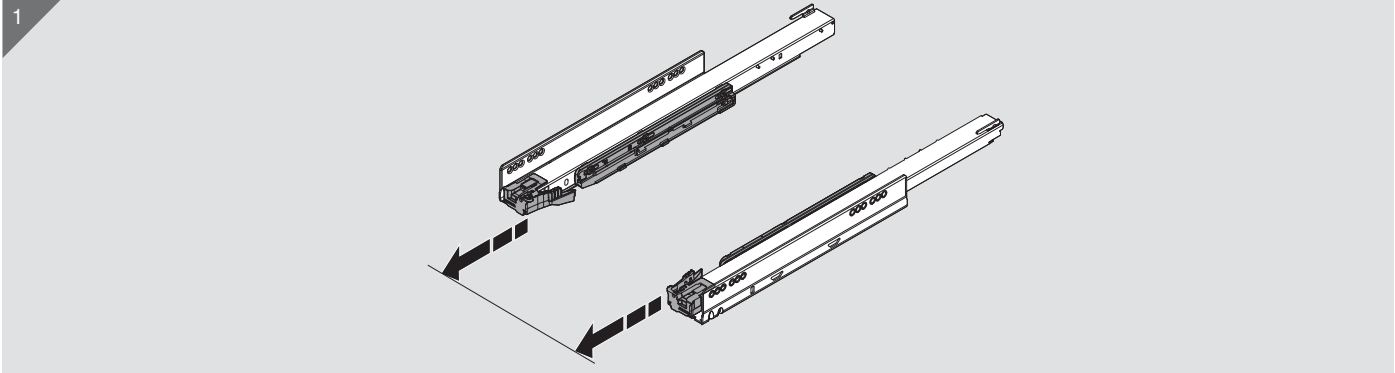
Part no.

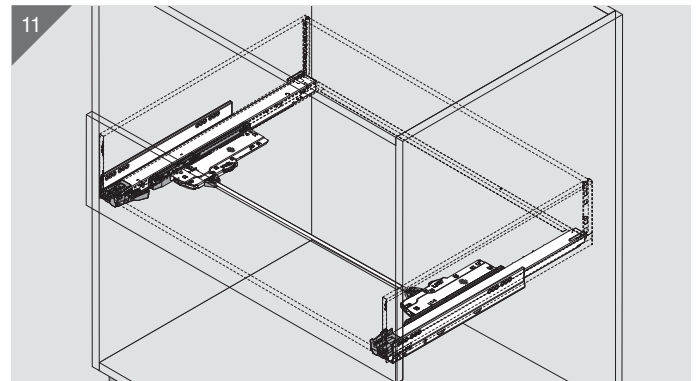
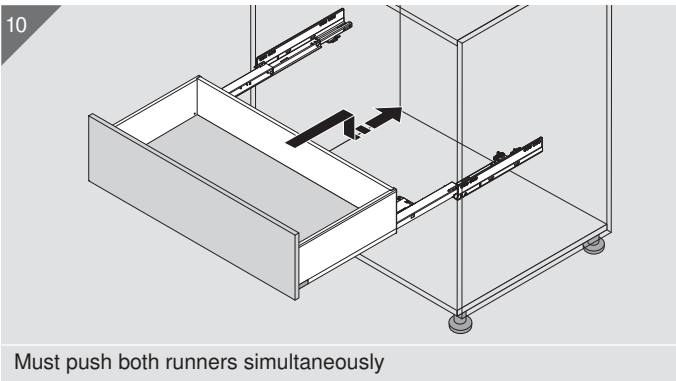
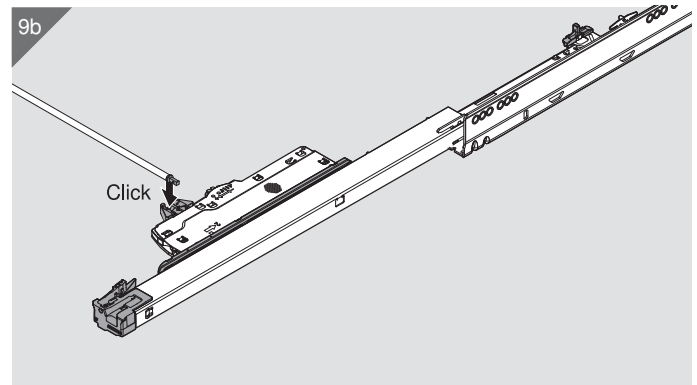
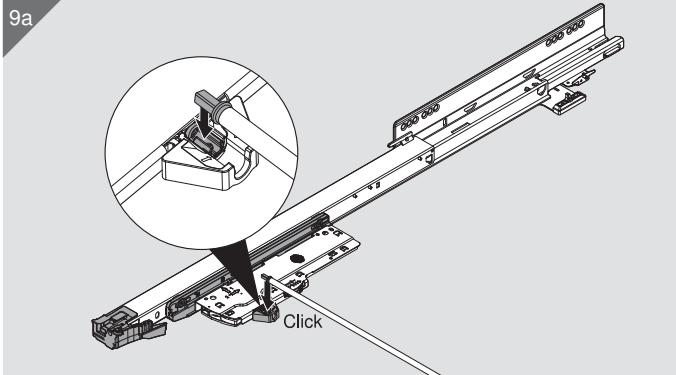
	Sync. rod	T60.300D.22
--	-----------	--------------------

NOTE: A synchronization rod is recommended for all cabinet widths for optimal function

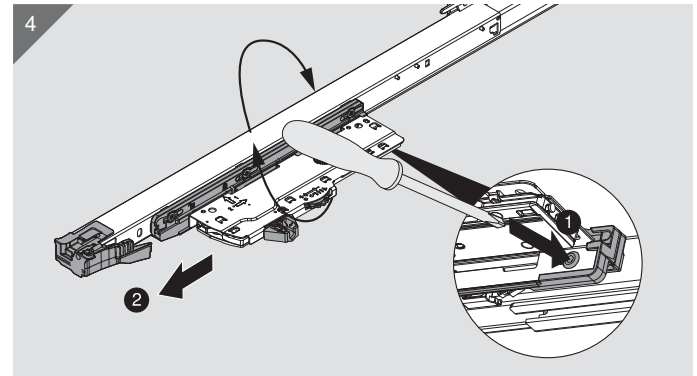
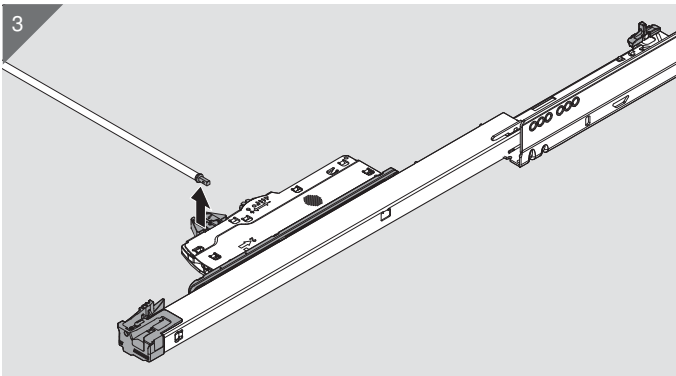
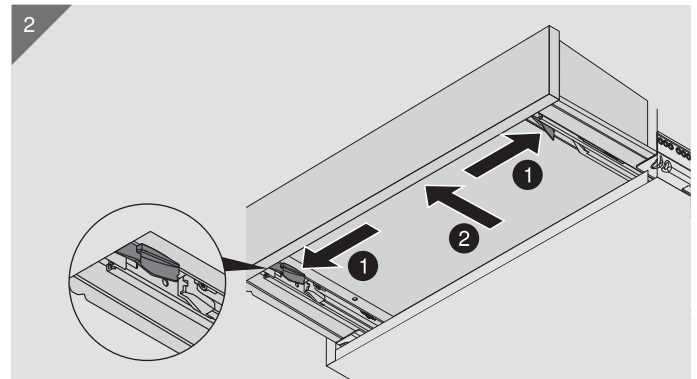
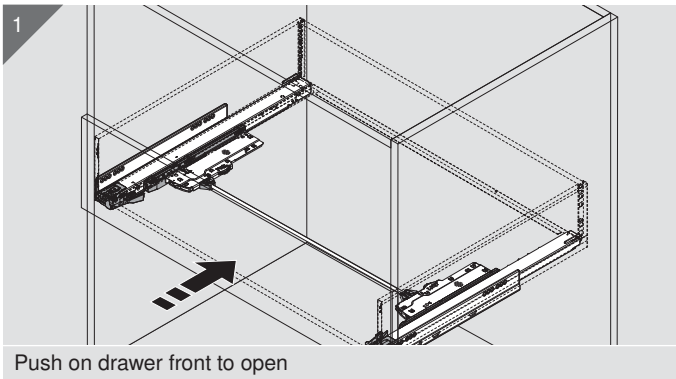


Do not use bumpers, as this can inhibit the function of TIP-ON BLUMOTION when the drawer front is pressed.





Removal





Bottom Mount Drawer – Standard Duty

MOVENTO



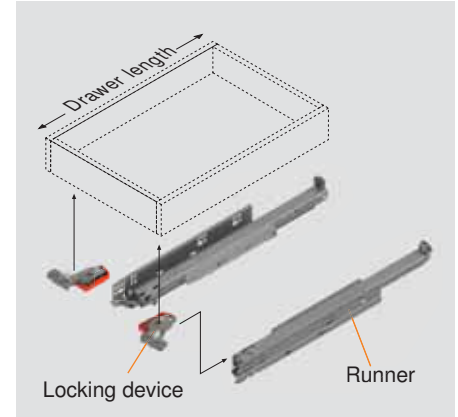
Application



Description

- Use 763. series runners
- Frameless or face frame cabinets
- Application is possible with any MOVENTO locking device
- **16 (5/8") drawer thickness**
- **125 lb static load capacity**
- Heavy duty bottom mount application possible with 769R runners on page 26

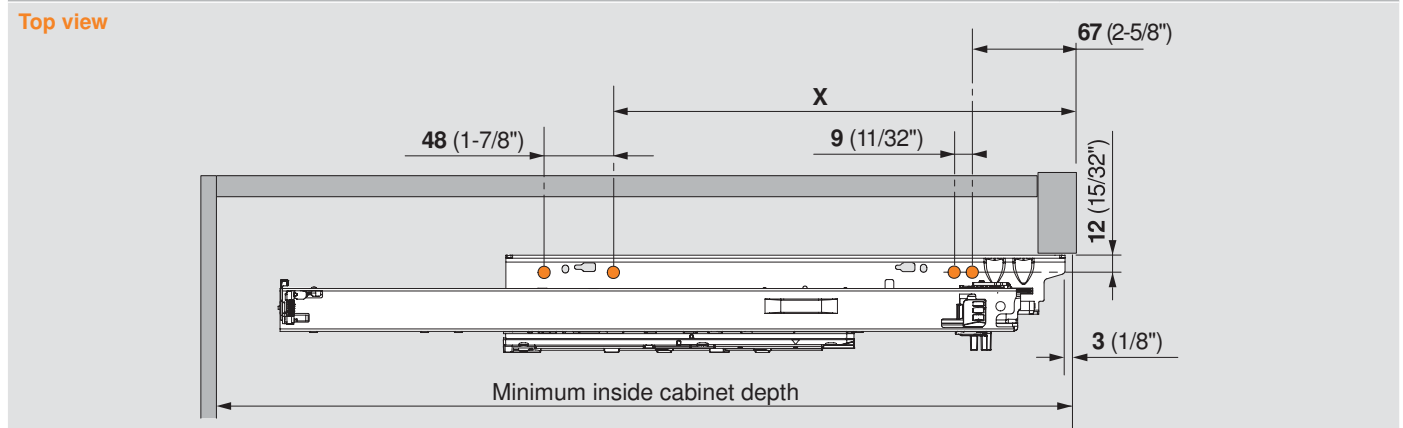
Basic Components



Components

Runner set				
One set required per drawer				
Drawer material thickness	For overall cabinet depth	Drawer length	MOVENTO	
16 (5/8")	610 (24")	533 (21")	763.5330M	
	533 (21")	457 (18")	763.4570M	
	457 (18")	381 (15")	763.3810M	
	381 (15")	305 (12")	763.3050M	
Wood screw for installation			606N or 606P	
System screw for installation			662.1150.HG	

Runner mounting specifications



MOVENTO	Drawer length	Minimum inside cabinet depth	X
763.5330M	533 (21")	553 (21-13/16")	316 (12-7/16")
763.4570M	457 (18")	477 (18-13/16")	316 (12-7/16")
763.3810M	381 (15")	401 (15-13/16")	284 (11-3/16")
763.3050M	305 (12")	325 (12-13/16")	188 (7-13/32")

MOVENTO



Lateral Stabilizer for 763./769.

Application



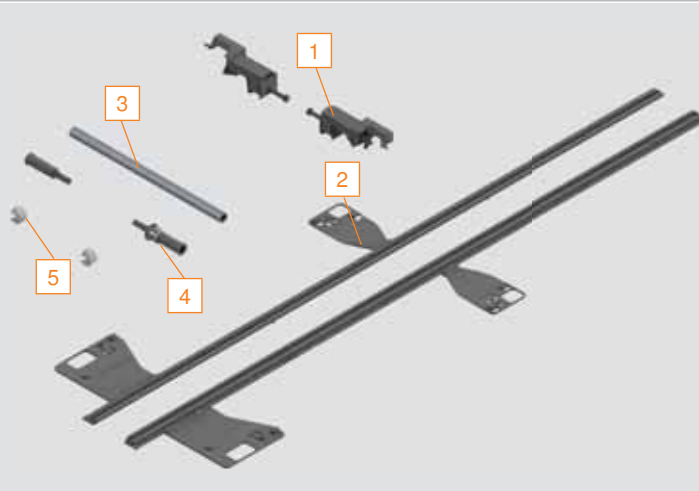
Description

- Increases lateral stability
- Synchronizes left and right runners to prevent drawer racking
- Ideal for wide applications using MOVENTO
- Does not increase load capacity

Specifications

- Frameless and blocked-out face frame applications **305** (12") to **610** (24") length drawers
- Recommended for opening widths **610** (24") and wider

Lateral stabilizer set



Set includes:

- 1** Pinion housing (qty 2)
- 2** Gear rack with locating tabs (qty 2)
- 3** Linkage rod, length **1051** (41-3/8")
- 4** Pinion adapter (qty 2)
- 5** Locking clip (qty 2)

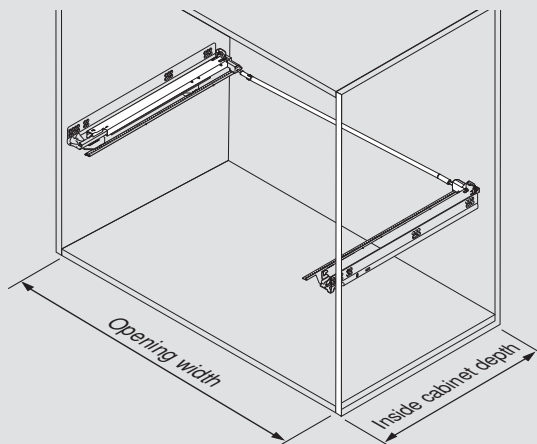
- Installation instructions

Part no.

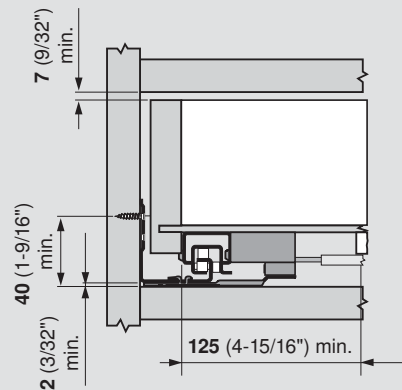
Lateral stabilizer set

ZS7M686MU

Space requirements



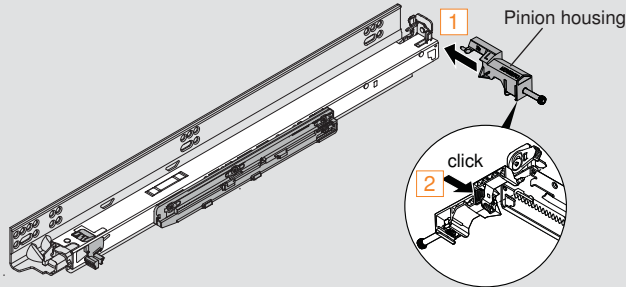
- Maximum opening width **1369** (53-29/32")
- Minimum inside cabinet depth = setback + runner length + **18** (23/32")



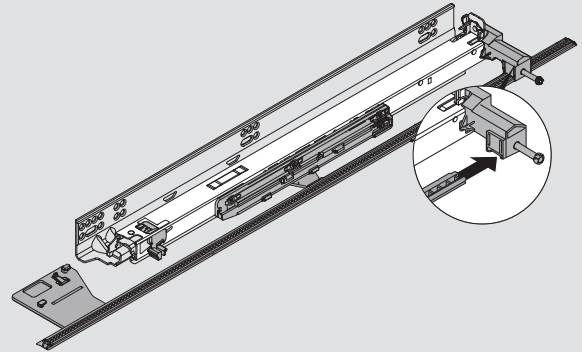
NOTE: MOVENTO runners will sit **2 (3/32")** higher when using the lateral stabilizer in bottom mount applications and may have to be raised for some bottom mount drawer applications using SERVO-DRIVE

Step 1 – Attach left and right pinion housings

- 1 Insert locating pins into MOVENTO runner
- 2 Press orange locking clips to lock into place

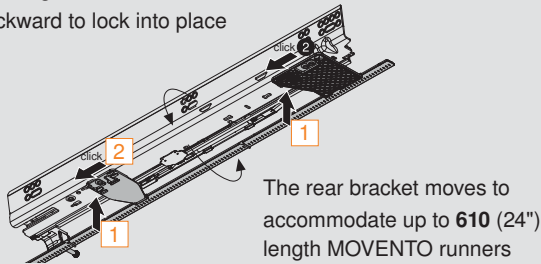


Step 2 – Slide gear racks into pinion housings

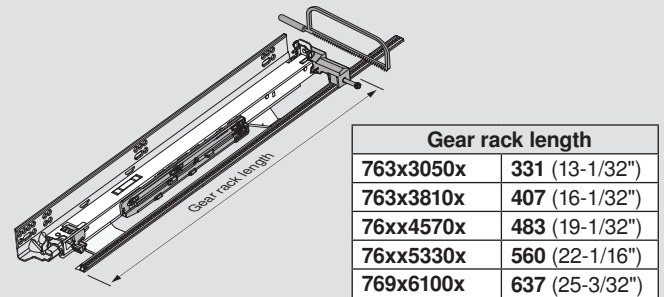


Step 3 – Install gear racks

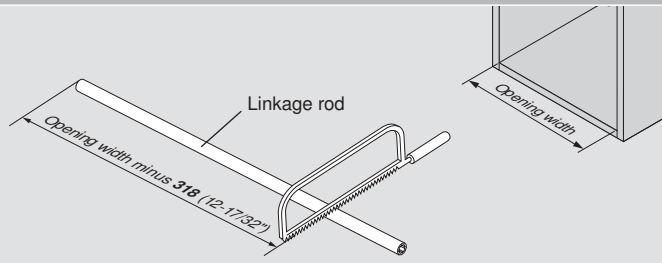
- 1 Insert locating tabs into cut-outs on bottom of runners
- 2 Slide backward to lock into place



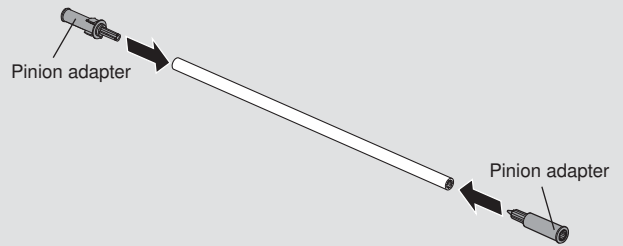
Step 4 – Cut gear racks to length



Step 5 – Cut linkage rod to length

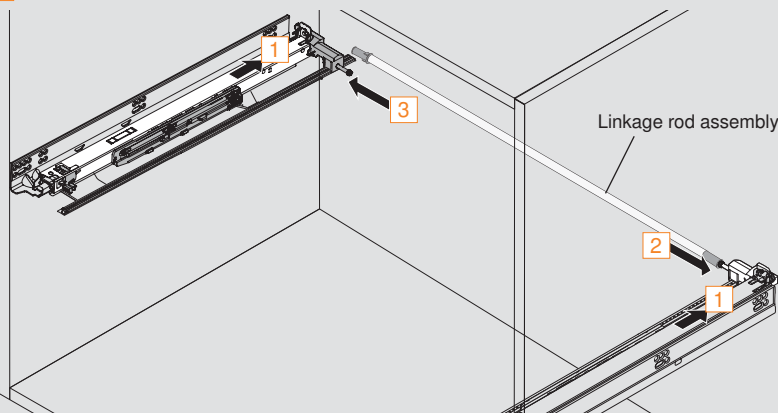


Step 6 – Press pinion adapters into linkage rod



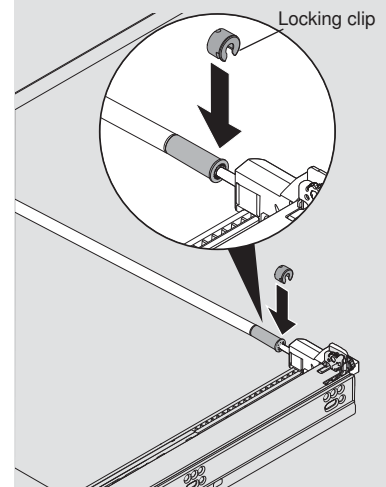
Step 7 – Install linkage rod assembly

- 1 Close drawer runners
- 2 Slide right pinion adapter onto right pinion
- 3 Slide linkage rod assembly left onto left pinion



Step 8 – Install locking clips

Install locking clips on both adapters

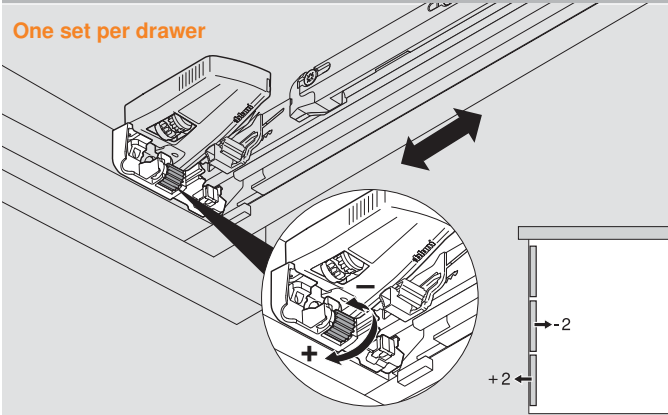


Description

- Uses the same 763 or 769 series runner
- Requires increased setback of the runner
- 763./769. frame applications require blocking-out behind the face frame

Optional add-on depth adjustment without TIP-ON BLUMOTION

One set per drawer



- Depth adjustment ± 2 (3/32"), preset at 0
- Integrated 3 (1/8") distance bumper for inset or overlay SERVO-DRIVE applications
- Not for use with TIP-ON BLUMOTION

Set includes:

- Right and left add-on depth adjustment
- Installation Instructions

Part no.

Add-on depth adjustment

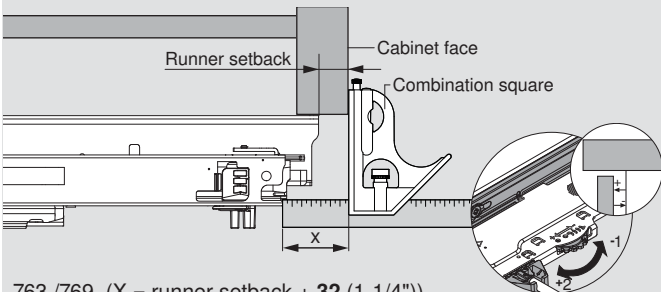
298.7600

Installation screw

606N or 606P

TIP-ON BLUMOTION depth adjustment

Top view

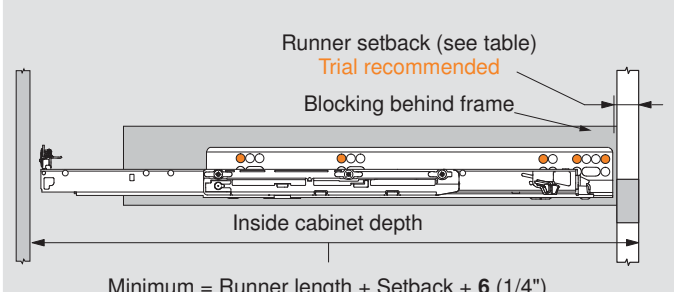


763./769. (X = runner setback + 32 (1-1/4"))
 769R (X = runner setback + 17.5 (11/16"))

NOTE: See runner setback information on next page

Complete block-out

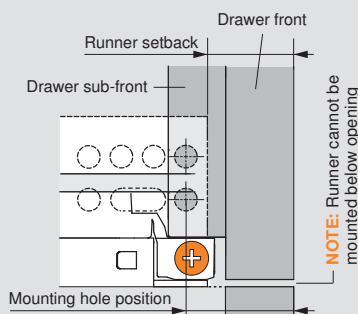
Side view



NOTE: See runner setback information on next page

763./769. setback information

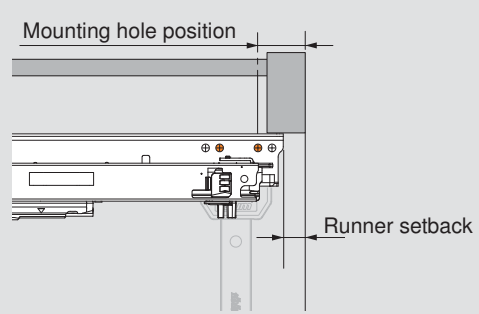
Side view



NOTE: For mounting hole position add 7 (9/32") to runner setback

769R setback information

Top view




NOTE: For mounting hole position add 22 (7/8") to runner setback

Runner Setback Specifications


MOVENTO




Runner setback with all locking devices

	763./769.		Runner setback				769R		Runner setback			
	Sub-front thickness	13 (1/2")	16 (5/8")	19 (3/4")	22 (7/8")	Sub-front thickness	13 (1/2")	30.5 (1-3/16")	33.5 (1-5/16")	36.5 (1-7/16")		
		16 (5/8")	19 (3/4")	22 (7/8")	25 (31/32")		16 (5/8")	33.5 (1-5/16")	36.5 (1-7/16")	39.5 (1-9/16")		
		19 (3/4")	22 (7/8")	25 (31/32")	28 (1-3/32")		19 (3/4")	36.5 (1-7/16")	39.5 (1-9/16")	42.5 (1-11/16")		
Drawer front thickness				Drawer front thickness								
<ul style="list-style-type: none"> Setbacks in this table set the face of the drawer front flush with the face of the cabinet If depth adjustment is needed, please see the add-on depth adjustment table below 												
Calculating runner setback												
763./769. (sub-front thickness + drawer front thickness minus 13 (1/2") = runner setback)												
769R (sub-front thickness + drawer front thickness + 1.5 (1/16") = runner setback)												

Runner setback when using add-on depth adjustment

	763./769.		Runner setback				769R		Runner setback			
	Sub-front thickness	13 (1/2")	19.5 (25/32")	22.5 (7/8")	25.5 (1")	Sub-front thickness	13 (1/2")	34 (1-11/32")	37 (1-15/32")	40 (1-9/16")		
		16 (5/8")	22.5 (7/8")	25.5 (1")	28.5 (1-1/8")		16 (5/8")	37 (1-15/32")	40 (1-9/16")	43 (1-11/16")		
		19 (3/4")	25.5 (1")	28.5 (1-1/8")	31.5 (1-1/4")		19 (3/4")	40 (1-9/16")	43 (1-11/16")	46 (1-13/16")		
Drawer front thickness				Drawer front thickness								
<ul style="list-style-type: none"> Setbacks in this table recess the face of the drawer front inside of the cabinet 0.5 (1/32") The depth adjustment can then be used to move the drawer front in or out to its desired position ±2 (3/32") 												
Calculating runner setback												
763./769. (sub-front thickness + drawer front thickness minus 9.5 (3/8") = runner setback)												
769R (sub-front thickness + drawer front thickness + 5 (3/16") = runner setback)												

Runner setback with all locking devices and TIP-ON BLUMOTION (no add-on depth adjustment)

	763./769.		Runner setback				769R		Runner setback			
	Sub-front thickness	13 (1/2")	19.5 (25/32")	22.5 (7/8")	25.5 (1")	Sub-front thickness	13 (1/2")	34 (1-11/32")	37 (1-15/32")	40 (1-9/16")		
		16 (5/8")	22.5 (7/8")	25.5 (1")	28.5 (1-1/8")		16 (5/8")	37 (1-15/32")	40 (1-9/16")	43 (1-11/16")		
		19 (3/4")	25.5 (1")	28.5 (1-1/8")	31.5 (1-1/4")		19 (3/4")	40 (1-9/16")	43 (1-11/16")	46 (1-13/16")		
Drawer front thickness				Drawer front thickness								
<ul style="list-style-type: none"> Setbacks in this table set the face of the drawer front flush with the face of the cabinet The depth adjustment is used to set the drawer front in the optimal location for TIP-ON function while keeping it flush with the face of the cabinet. See previous page for depth adjustment information. 												
Calculating runner setback												
763./769. (sub-front thickness + drawer front thickness minus 9.5 (3/8") = runner setback)												
769R (sub-front thickness + drawer front thickness + 5 (3/16") = runner setback)												

MOVENTO



Locking Devices

Standard

One right and one left required per drawer



- Captive right device and self-aligning left device
- Self-adjusting drawer length tolerance
- Steel base with synthetic, spring-loaded release levers
- Minimum inside drawer width **170** (6-11/16")
- Side-to-side adjustment ± 1.5 (1/16")

Part no.

Right locking device	T51.7601 R
Left locking device	T51.7601 L
Installation screw	606N or 606P

Vertical mount

One right and one left required per drawer



- Vertical mount locking device used to minimize sub-front splitting
- Captive right device and self-aligning left device
- Self-adjusting drawer length tolerance
- Steel base with synthetic, spring-loaded release levers
- Minimum inside drawer width **170** (6-11/16")
- Side-to-side adjustment ± 1.5 (1/16")
- Minimum sub-front thickness **16** (5/8")
- Designed for **13** (1/2") drawer bottom recess

Part no.

Right locking device	T51.7601.20 R
Left locking device	T51.7601.20 L
Installation screw	606N or 606P

Narrow drawer

One right and one left required per drawer



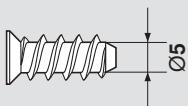
- For use with narrow drawers
- Maximum dynamic load capacity 25 lb
- Captive right device and self-aligning left device
- Self-adjusting drawer length tolerance
- Vertical mount, two-piece nylon
- Minimum inside drawer width **95** (3-3/4") without TIP-ON BLUMOTION
- Minimum sub-front thickness **16** (5/8")
- Designed for **13** (1/2") drawer bottom recess

Part no.

Right locking device	T51.0501.20 R
Left locking device	T51.0501.20 L
Installation screw	606N or 606P

Deep thread system screw

- Pilot bore $\varnothing 5$ (3/16") hole



Part no.

#6 x 11.5, #2 POZI	662.1150.HG
--------------------	--------------------

Deep thread wood screw

- Pilot bore $\varnothing 2.5$ (3/32") hole

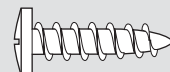


Part no.

#6 x 5/8", #2 Phillips	606N
#6 x 5/8", #2 POZI	606P

Truss head wood screw

- Pilot bore $\varnothing 2.5$ (3/32") hole



Part no.

#6 x 1/2", #2 Phillips	612TH
------------------------	--------------

Universal individual template



- Used to pre-bore holes for MOVENTO and TANDEM runners
- Also used for marking/pre-boring other Blum drawer systems, AVENTOS locating pins, hinge mounting plates, BLUMOTION adapters, and TIP-ON adapters
- Calibrated scale for accurate setting

Set includes:

- Universal individual template
- Ø2.5 and Ø5 stop collars
- Allen wrench

Part no.

Universal individual template

65.1051.02

Cabinet profile template set



- Used to pre-bore holes for MOVENTO and TANDEM runners
- Also used for marking/pre-boring other Blum drawer systems, AVENTOS locating pins and hinge mounting plates

Set includes:

- Rail, 1 meter long
- Replacement template (qty 4)
- Ø2.5 and Ø5 stop collars
- Allen wrench

Part no.

Cabinet profile template

65.1000.01

Replacement template

65.1001.01

Ø2.5 drill bit

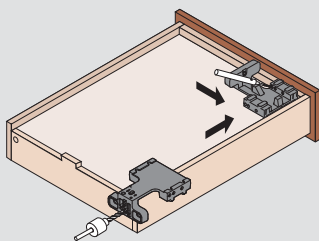
DB-2.5mm

Ø5 drill bit

DB-5mm

Concealed Runner Template

- Essential tool for drawers using any series MOVENTO or TANDEM runners
- To bore the Ø6 holes for rear hooks
- Pre-bore Ø2.5 hole for MOVENTO locking devices at the required angle



Part no.

Template **T65.1600.01**

Accessories (order separately)

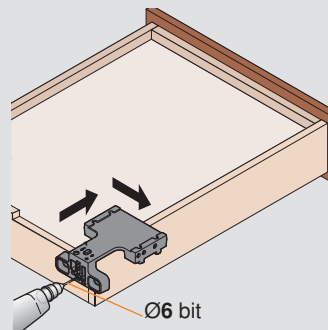
Ø2.5 drill bit **DB-2.5mm**

Ø6 drill bit **DB-6mm**

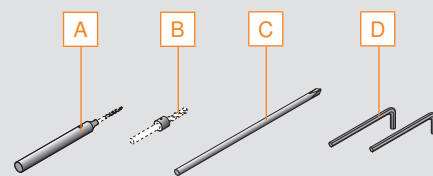
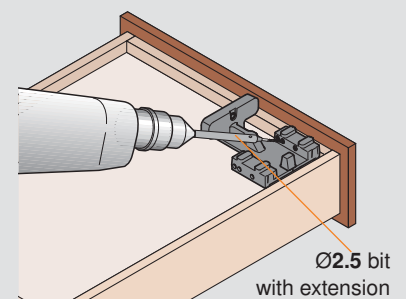
Tool set **T65.9000**

Using the Concealed Runner Template

1 Bore rear hook holes



2 Pre-bore holes for locking device screws



Tool set includes:

A Ø2.5 drill bit extension

B Ø6 stop collar

C #2 Phillips screwdriver tip

D Allen wrenches

NOTE: Items NOT sold separately

MOVENTO



Waste/Recycle Drawer with Motion Technologies

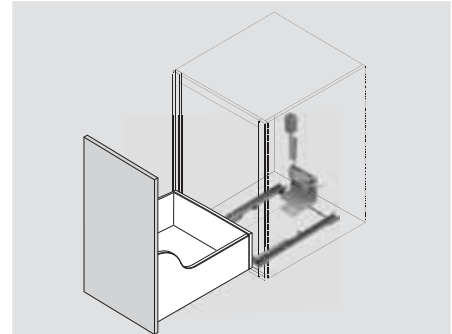
Application



Description

- Pre-assembled bottom mount set
- MOVENTO heavy duty full extension concealed runners with BLUMOTION
- For 12", 15" and 18" minimum opening widths
- For 16 (5/8") drawer side thickness
- 19 (3/4") over extension
- For face frame and frameless applications
- Tool-free side-to-side, height and tilt adjustment
- Maximum 6 (1/4") cabinet bottom recess
- **135 lb static load capacity**
- Designed to be used with SERVO-DRIVE or TIP-ON BLUMOTION

Basic Components

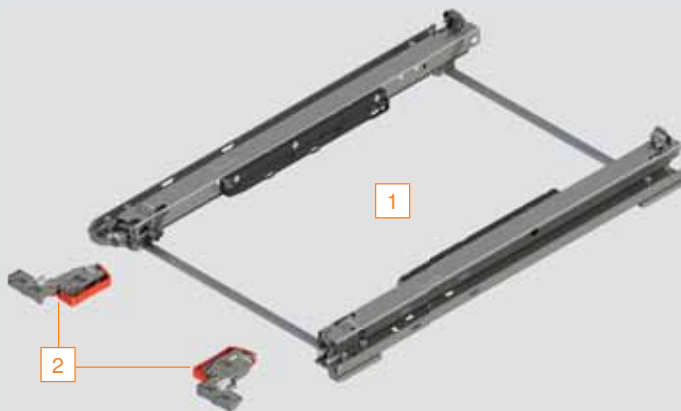


NOTE: Drawer and bins not included

Components

MOVENTO waste/recycle set

One set required per drawer



Set includes:

- 1 MOVENTO heavy duty runner set with pre-mounted #6 x 1" wood screws for installation (qty 8)
- 2 Standard locking device (qty 2) with #6 x 5/8" wood screws for installation (qty 4)

- Installation template and instructions

MOVENTO waste/recycle set	Drawer length	Part no.
For 12" minimum opening width	533 (21")	769R5337MB
For 15" minimum opening width	533 (21")	769R5337MD
For 18" minimum opening width	533 (21")	769R5337MF

SERVO-DRIVE waste/recycle set

Set includes:

- Drive unit (pre-attached)
- Double bottom bracket with #6 x 1" wood screws (qty 2)
- Adapter plate
- 110 volt plug-in power supply with six feet of universal cable
- Screw-on distance bumpers (qty 4) with #6 x 5/8" wood screws for installation (qty 8)
- INSERTA cable connector
- Cable end protectors (qty 2)
- Cable clips (qty 4)
- Installation template, instructions and user manual

Part no.

SERVO-DRIVE waste/recycle set **Z10NA30UGUS**

NOTE: Power supply will operate up to two drive units in a double bottom bracket application (second drive unit sold separately)

TIP-ON BLUMOTION for MOVENTO waste/recycle set

Set includes:

- Heavy duty L5 TIP-ON BLUMOTION units and triggers
- TIP-ON BLUMOTION synchronization rod, pre-cut per width
- TIP-ON BLUMOTION synchronization adapters*
- Instruction sheet

Part no.

For 769R5337MB set*	T60L7570.B
For 769R5337MD set	T60L7570.D
For 769R5337MF set	T60L7570.F

NOTE*: T60L7570.B does not use TIP-ON BLUMOTION synchronization adapters

Drawer and Cabinet Specifications

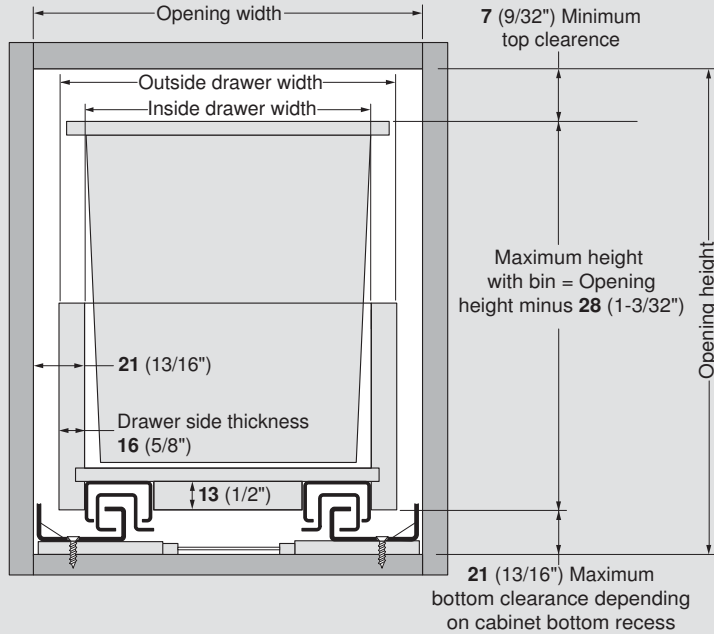
Drawer thickness	16 (5/8")
Lengths available	21"
Static load capacity	135 lb

MOVENTO



Drawer box specifications

Front view



NOTE: Drawer side material thickness may vary. Precise measurement of drawer side material thickness should be used when calculating outside drawer width using the table below. Inside drawer width **must** equal opening width minus 42 (1-21/32") for MOVENTO runners to align and function optimally.



Important

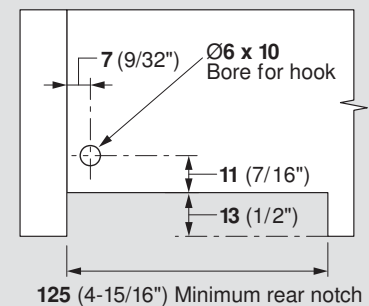
Bin width and height must be considered when designing your cabinet (see the diagram on the left).

Minimum inside cabinet depth

With SERVO-DRIVE	577 (22-23/32")
Without SERVO-DRIVE	564 (22-7/32")

Drawer back preparation

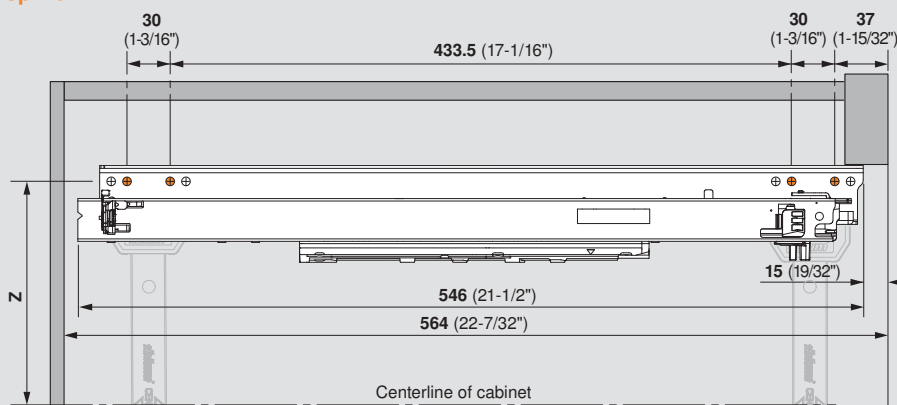
Rear view



Waste/recycle set	Minimum opening width	Inside drawer width	For drawer side thickness
			16 (5/8")
769R5337MB	305 (12")	263 (10-11/32")	295 (11-5/8")
769R5337MD	381 (15")	339 (13-11/32")	371 (14-19/32")
769R5337MF	457 (18")	415 (16-11/32")	447 (17-19/32")
NOTE: Drawer length is 533 (21") for all sets			Outside drawer width

Set mounting specifications

Top view



Waste/recycle set	Z
769R5337MB	141.5 (5-9/16")
769R5337MD	179.5 (7-1/16")
769R5337MF	217.5 (8-9/16")

NOTE: Orange dots indicate pre-mounted screw locations. All four are required to meet specified load capacities.

MOVENTO



Bottom Mount Drawer – Heavy Duty

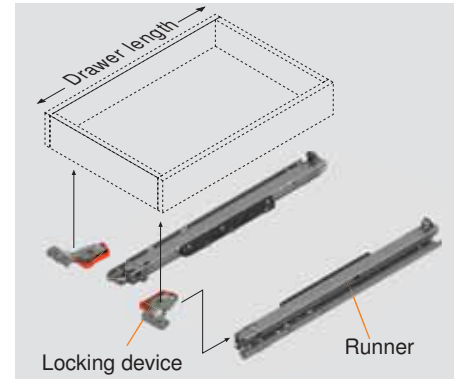
Application



Description

- MOVENTO heavy duty full extension concealed runners with BLUMOTION
- For 16 (5/8") drawer side thickness
- 19 (3/4") over extension
- For face frame and frameless applications
- Tool-free side-to-side, height and tilt adjustment
- Maximum 6 (1/4") cabinet bottom recess
- **135 lb static load capacity**
- Designed to be used with SERVO-DRIVE or TIP-ON BLUMOTION

Basic Components



Components

MOVENTO bottom mount runner set

One set required per drawer



Set includes:

- 1 MOVENTO heavy duty runner set with pre-mounted #6 x 1" wood screws for installation (qty 8)
- 2 Standard locking device (qty 2) with #6 x 5/8" wood screws for installation (qty 4)

- Installation instructions

Interior roll-outs and roll-out shelf applications must be mounted to the bottom of the cabinet or to a fixed shelf/panel

Overall cabinet depth	Drawer length	MOVENTO set
610 (24")	533 (21")	769R5330M

NOTE: These runners are for 16 (5/8") drawer side thickness

NOTE: Pre-attached 1/4" spacers should not be removed. Cabinet bottom recess must be 6 (1/4") or less.

SERVO-DRIVE waste/recycle set

Set includes:

- Drive unit (pre-attached)
- Double bottom bracket with #6 x 1" wood screws (qty 2)
- Adapter plate
- 110 volt plug-in power supply with six feet of universal cable
- Screw-on distance bumpers (qty 4) with #6 x 5/8" wood screws for installation (qty 8)
- INSERTA cable connector
- Cable end protectors (qty 2)
- Cable clips (qty 4)
- Installation template, instructions and user manual

Part no.

SERVO-DRIVE waste/recycle set

Z10NA30UGUS

NOTE: Power supply will operate up to two drive units in a double bottom bracket application (second drive unit sold separately)

TIP-ON BLUMOTION

- Enables MOVENTO drawers to be opened with just a light touch of the drawer front and retain BLUMOTION soft closing action
- Fully mechanical motion
- Can be used with or without pulls
- Minimum inside drawer width **281** (11-1/16")



TIP-ON Unit and Trigger



Synchronization



Front gap template

See page 12 - 15

Drawer and Cabinet Specifications

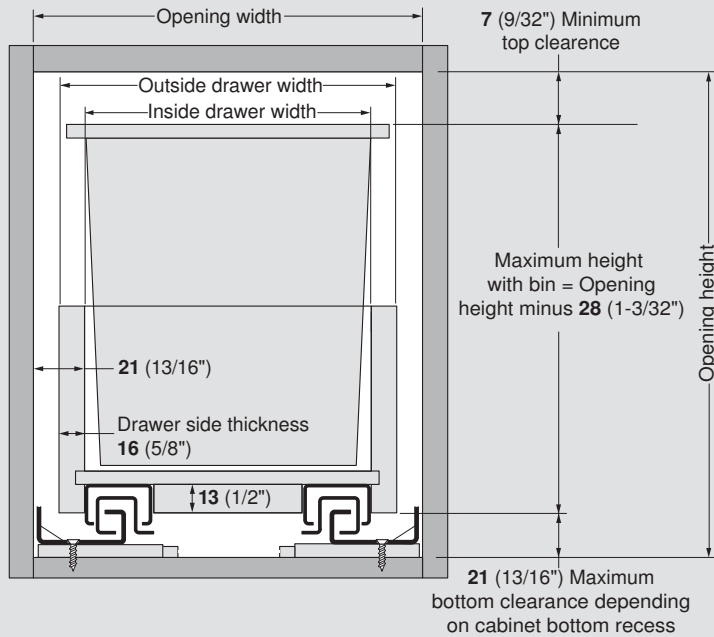
Drawer thickness	16 (5/8")
Lengths available	21"
Static load capacity	135 lb

MOVENTO



Drawer box specifications

Front view



NOTE: Drawer side material thickness may vary. Precise measurement of drawer side material thickness should be used when calculating outside drawer width using the table below. Inside drawer width **must** equal opening width minus 42 (1-21/32") for MOVENTO runners to align and function optimally.

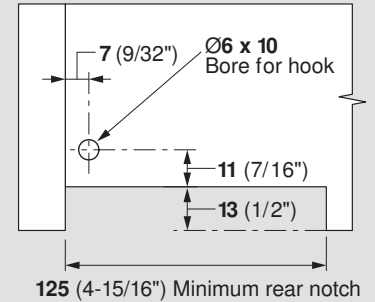
Calculating outside drawer width

For drawer side thickness	16 (5/8")
Deduct from opening width	10 (13/32")

Example: For 21" opening width and a 5/8" thick drawer, 21" minus 13/32" = 20-19/32" drawer width

Drawer back preparation

Rear view



Runner comparison

Side view

769R – No vertical profile

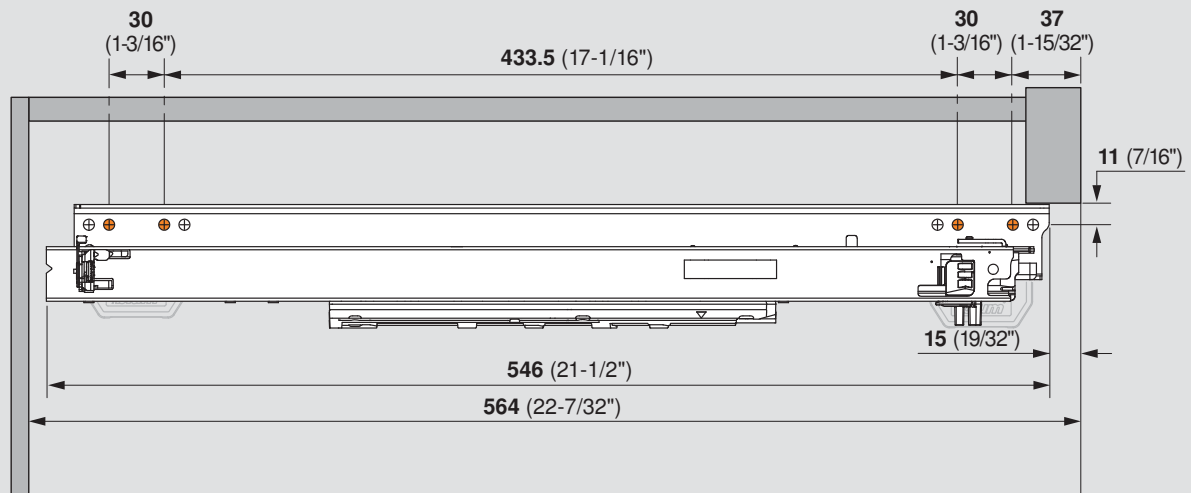


769. – Vertical profile



Runner mounting specifications

Top view



NOTE: Orange dots indicate pre-mounted screw locations. All four are required to meet specified load capacities.



Blum's Ideas for Functional Kitchens

Our products stem from years of research into the needs of kitchen users as observed in their homes and our kitchen labs throughout the world. Our research has shown that functional kitchens have three essential features: smooth workflows, enough storage space and better motion. For more information please refer to Blum's ORGA-LINE and AMBIA-LINE brochure.

blum.com/ideas

Flatware	
	<ul style="list-style-type: none"> Width 284 (11-3/16") Height 65 (2-9/16")
	<p>Part no.</p> <p>21" drawer length ZHI.533BI3A</p>

Odds and ends	
	<ul style="list-style-type: none"> Width 108 (4-1/4") Height 65 (2-9/16")
	<p>Part no.</p> <p>21" drawer length ZHI.533BI1A</p>

Flatware	
	<ul style="list-style-type: none"> Width 381 (15") Height 65 (2-9/16")
	<p>Part no.</p> <p>21" drawer length ZHI.533KI4A</p>

Odds and ends	
	<ul style="list-style-type: none"> Width 302 (11-7/8") Height 65 (2-9/16")
	<p>Part no.</p> <p>21" drawer length ZHI.533MI3A</p>

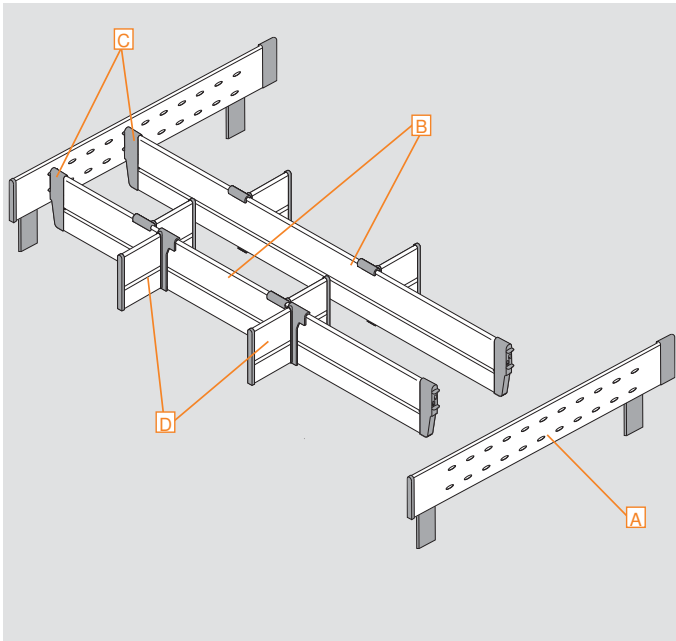
Flatware	
	<ul style="list-style-type: none"> Width 400 to 419 (15-3/4" to 16-1/2") Height 65 (2-9/16")
	<p>Part no.</p> <p>21" drawer length ZHI.533TI4A</p>

Utensils	
	<ul style="list-style-type: none"> Width 108 (4-1/4") Height 65 (2-9/16")
	<p>Part no.</p> <p>21" drawer length ZHI.533FI1A</p>

Flatware	
	<ul style="list-style-type: none"> Width 477 to 495 (18-3/4" to 19-1/2") Height 65 (2-9/16")
	<p>Part no.</p> <p>21" drawer length ZHI.533TI5A</p>

Utensils	
	<ul style="list-style-type: none"> Width 294 (11-9/16") Height 65 (2-9/16")
	<p>Part no.</p> <p>21" drawer length ZHI.533FI3A</p>

Deep Drawer



A Interior side rail

- Two required
- Length **475** (18-11/16")
- Height **131** (5-3/16")

Part no.

Interior side rail	ZHI.533SS65
--------------------	--------------------

B Cross divider

- Length **1077** (42-3/8"), cut to size
- Inside drawer width minus **62** (2-7/16")
- Height **113** (4-1/2")
- Gray

Part no.

Cross divider	Z40H1077A
---------------	------------------

C Spring loaded connector

- Two required
- Dust gray

Part no.

Spring loaded connector	Z40H000A
-------------------------	-----------------

D Lateral divider

- Length **100** (3-15/16")
- Height **116** (4-9/16")
- Gray

Part no.

Lateral divider	Z43H100S.01
-----------------	--------------------

Accessories

ORGA-LINE Knife holder

- Length **280** (11")
- Width **180** (7-1/8")
- Holds up to nine knives of different sizes
- High quality nylon and stainless steel
- Dishwasher safe up to 170°F
- Handle supports (qty 4)

Part no.

Knife holder	ZSZ.02M0
--------------	-----------------

ORGA-LINE Spice tray

- Width **282** (11-1/8")
- Inside storage width **260** (10-1/4")
- Height **121** (4-3/4")
- Easy removal from drawer
- High quality nylon and stainless steel
- Set includes two trays and four feet

Part no.

Spice tray	ZFZ.38G01
------------	------------------

Plate holder

- Adjustable width **186 to 322** (7-5/16" to 12-11/16")
- Overall height **170** (6-11/16")
- Holds up to 12 plates
- Non-slip bottom
- High quality nylon and stainless steel

Part no.

Plate holder	ZC7T0350
--------------	-----------------



Part no.

298.7600	22	Z43H100S.01	31
606N	24	ZC7T0350	31
606P	24	ZFZ.38G0I	31
612TH	24	ZHI.533BI1A	30
65.1000.01	25	ZHI.533BI3A	30
65.1001.01	25	ZHI.533FI1A	30
65.1051.02	25	ZHI.533FI3A	30
65.5632.US	15	ZHI.533KI4A	30
662.1150.HG	24	ZHI.533MI3A	30
763.3050M	8, 14, 19	ZHI.533SS65	31
763.3810M	8, 14, 19	ZHI.533TI4A	30
763.4570M	8, 14, 19	ZHI.533TI5A	30
763.5330M	8, 14, 19	ZS7M686MU	20
769.4570M	10, 14	ZSZ.02M0	31
769.5330M	10, 14		
769.6100M	10, 14		
769R5330M	28		
769R5337MB	26		
769R5337MD	26		
769R5337MF	26		
DB-2.5mm	25		
DB-5mm	25		
DB-6mm	25		
T51.0501.20 L	24		
T51.0501.20 R	24		
T51.7601 L	24		
T51.7601 R	24		
T51.7601.20 L	24		
T51.7601.20 R	24		
T60.000D	15		
T60.300D.22	15		
T60L1118W	15		
T60L7140	14		
T60L7340	14		
T60L7540	14		
T60L7570	14		
T60L7570.B	26		
T60L7570.D	26		
T60L7570.F	26		
T65.1600.01	25		
T65.9000	25		
Z10NA30UGUS	26, 28		
Z40H000A	31		
Z40H1077A	31		

Conversion chart		
mm	inch	
1	1/32	.031
1.5	1/16	.063
2	3/32	.094
3	1/8	.125
4	5/32	.156
5	3/16	.188
5.5	7/32	.219
6	1/4	.25
7	9/32	.281
8	5/16	.313
9	11/32	.344
9.5	3/8	.375
10	13/32	.406
11	7/16	.438
12	15/32	.469
13	1/2	.5
13.5	17/32	.531
14	9/16	.563
15	19/32	.594
16	5/8	.625
17	21/32	.656
17.5	11/16	.688
18	23/32	.719
19	3/4	.75
20	25/32	.781
20.5	13/16	.813
21	27/32	.844
22	7/8	.875
23	29/32	.906
24	15/16	.938
24.5	31/32	.969
25.4	1	1



Why Choose Blum



Blum, Inc. is a leading manufacturer of functional hardware for the kitchen cabinet and commercial casework industries specializing in lift systems, concealed hinges and drawer runner systems. Virtually all of the hardware needed to assemble and make cabinets functional is available within the wide range of quality Blum products. Blum supports the U.S. market with a network of more than 150 dependable distributors, 40+ knowledgeable Blum sales representatives and an experienced customer service department.

Commitment To Manufacturing In The U.S.

Blum manufactures many of its products in our 450,000 sq ft manufacturing, logistics and warehouse facility located in Stanley, North Carolina. Manufacturing closer to the customer allows Blum to react quickly to changing customer needs including unexpected surges in demand. Customer pickups and deliveries can be timed to better match their production schedules. Blum is committed to manufacturing in the U.S. for the U.S. market.



Product development at Blum considers all of the various customers who will come in contact with our products. With this "Global Customer Benefits" philosophy we strive to create advantages for all users.



Blum, Inc. is ISO 9001 certified which means that you are assured of consistent quality in every Blum product. They exceed the requirements of ANSI/BHMA standards for cycle life, static load and self-closing performance.

Please visit blum.com for information on other Blum products
LIT.MOV.1000.06.17 Ident. 26357390 © 2017 Blum, Inc.

Blum, Inc.
7733 Old Plank Rd.
Stanley, NC 28164
800-438-6788
blum.com



ISO 9001
Certified Quality
System

