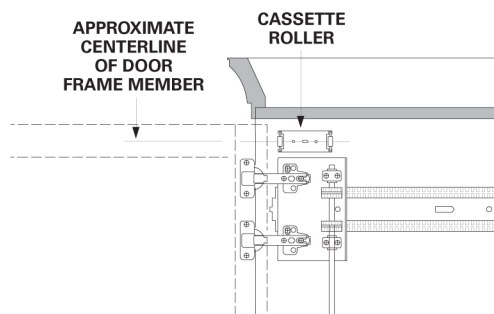
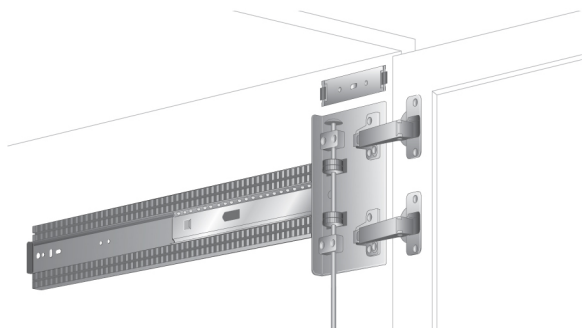


8091/92 4x4 Pocket Door™ Slide

Ideal for use in large entertainment and home theater cabinets with oversized doors.



8090P CR

- number** **8091** — Packed without hinge or hinge base.
8092 — With attached hinge base.
- mounting** Mounts directly to cabinet side.
- load rating** 75-Pound Class
- max. door dimensions** 72" h x 26" w
- finish** Ebony Black
- action** Progressive movement on precision steel ball bearings.
- features**
 - Rack and pinion design virtually eliminates door sag. Slide rack indexing system speeds installation time. Metal ball retainer holds three bearings per inch of race for smooth and quiet operation. Multiple hinge options allow for a wide variety applications.
- sizes** 12", 13", 14", 15", 16" 18", 20", 22", 24", 26", 28", 30".
- packed**
 - Poly Pack (8091P): 1 set per poly pack w/screws and instructions. Shafts must be ordered separately. Hinges and hinge bases supplied by installer.
 - Poly Pack (8092P): 1 set per poly pack w/screws and instructions. KV hinges and shafts must be ordered separately.

ordering info

Slides:

8091P EB	12", 13", 14", 15", 16" 18", 20", 22", 24", 26", 28", 30"	1 pair
8092P EB	12", 13", 14", 15", 16" 18", 20", 22", 24", 26", 28", 30"	1 pair

Packed Shafts:

8092SB EB	36"	1 pair
8092SB EB	48"	1 pair
8092SB EB	72"	1 pair
8090B EB	36"	10 each
8090B EB	48"	10 each
8090B EB	72"	10 each

Hinges:

Standard
Free-swing
Overlay Dr.
Thick Dr.
Ex. Thick Dr.

Hinge Kits:

(2 hinges w/screws)
8080HKEZS EB
8080HKEZF EB
8080HKEZL EB
8085HKEZT EB
8086HKEZX EB

Hinge Packs:

(40 w/o screws)
8080HPEZS EB
8080HPEZF EB
8080HPEZL EB
8085HPEZT EB
8086HPEZX EB

ACCESSORIES

- number** **8090P CR** — Raised Panel Cassette Roller

Cassette roller provides additional support for the unique needs of raised panel door construction. This accessory is placed on the side cabinet wall allowing the horizontal door rail to be cushioned as it recesses into the cabinet.

- packed**
 - 1 per poly bag with screws.

Note: not required for flat panel doors.