

# FR 777

<b>SLIDE TYPE:</b>	Progressive action full-extension pantry pull-out slide with top slide
<b>MOUNTING:</b>	Floor Mount

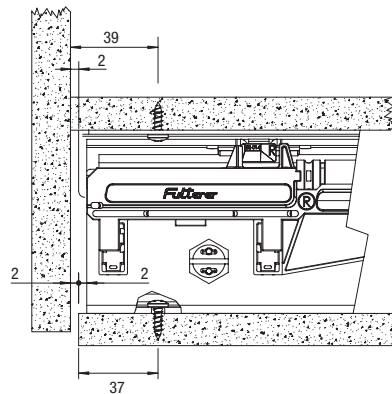
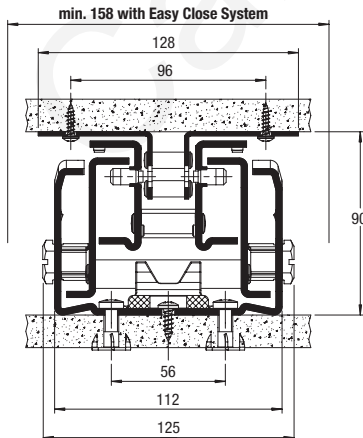
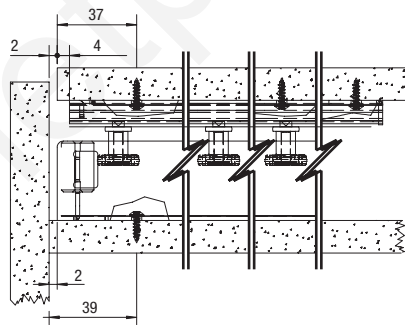
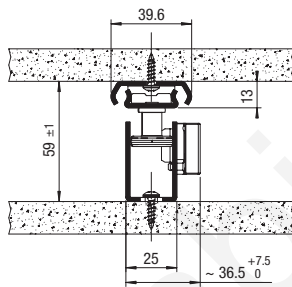
<b>LOAD CAPACITY:</b>	dynamic up to <b>200 kg (450 lbs.)</b>
-----------------------	--



<b>MATERIAL:</b>	steel, white powder coated
------------------	----------------------------

<b>FEATURES:</b>	solid delrin* rollers, delrin*- encased steel ball bearings
------------------	--

<b>CAUTION!</b>	<ul style="list-style-type: none"> <li>▶ this new design allows the Easy Close System to be incorporated as an option.</li> <li>▶ new installation dimensions!</li> <li>▶ FR 777 Bottom Slide, 158 mm min. width (see illustration)</li> <li>▶ FR 777 Top Slide, 59 mm min. height (see illustration)</li> </ul>
-----------------	--



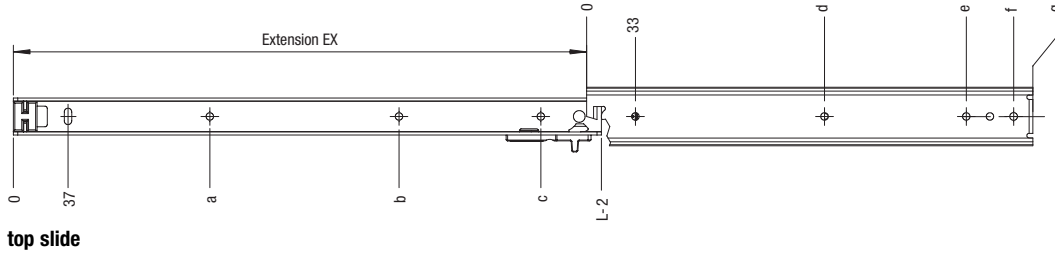
<b>SPECIFICATIONS:</b>	<ul style="list-style-type: none"> <li>▶ no deflection in fully extended position</li> <li>▶ quick and easy installation</li> <li>▶ quiet movement, even under the heaviest loads</li> <li>▶ horizontal and vertical adjustment</li> <li>▶ top slide for absolute lateral stability</li> <li>▶ LGA-tested according to DIN 4554 standard at 50,000 double cycles</li> <li>▶ back stop</li> </ul>
------------------------	--

<b>NOTES:</b>	<ul style="list-style-type: none"> <li>▶ <b>NEW</b> - Easy Close System option is available</li> <li>▶ Do not lubricate any part of the slide!</li> </ul>
---------------	---

# FR 777

<b>SLIDE TYPE:</b>	Progressive action full-extension pantry pull-out slide with top slide
<b>MOUNTING:</b>	Floor Mount

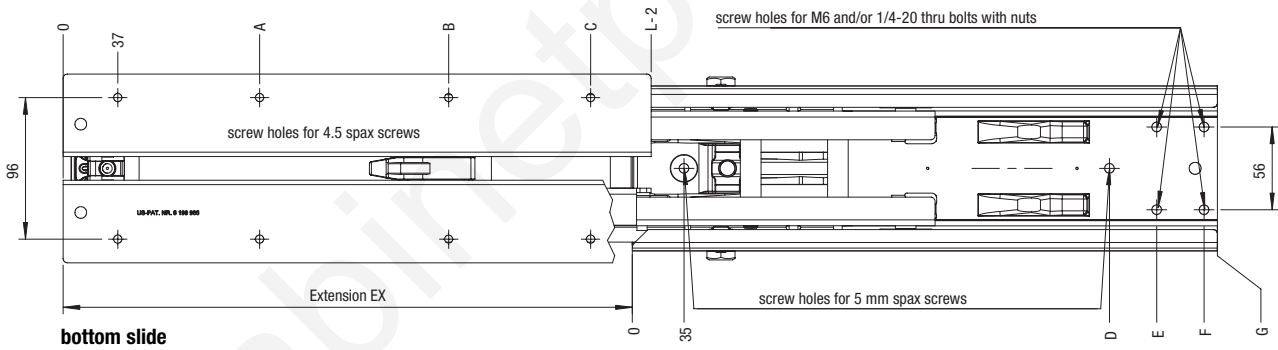
<b>LOAD CAPACITY:</b>	dynamic up to <b>200 kg (450 lbs.)</b>
-----------------------	--



Length L	Weight per set		Order No. white	
	mm	in		kg
400	15.75	9.31	20.53	7720
450	17.72	10.30	22.71	7721
500	19.69	11.32	24.96	7722
550	21.65	12.39	27.32	7723
600	23.62	13.36	29.45	7724
650	25.59	14.55	32.08	7725
700	27.56	15.46	34.08	7726
750	29.53	16.45	36.27	7727
800	31.50	17.67	38.96	7728
850	33.46	18.65	41.12	7729
900	35.43	19.64	43.30	7730
950	37.40	20.63	45.48	7731
1000	39.37	21.11	46.54	7732
1100	43.31	23.10	50.93	7733

Packing Unit: **1 set per box**

\*DuPont (TM) Delrin®



Length L	Extension EX	a A		b B		c C		L-2		d		D		e		E		f		F		g		G	
		mm	in	mm	in	mm	in	mm	in	mm	in	mm	in	mm	in	mm	in	mm	in	mm	in	mm	in	mm	in
400	15.74	384	15.12	133	5.24	261	10.28	357	14.06	398	15.67	161	6.34	257	10.12	355	13.98	289	11.38	387	15.24	302	11.89	396	15.59
450	17.72	434	17.09	133	5.24	261	10.28	421	16.57	448	17.64	161	6.34	257	10.12	387	15.24	289	11.38	419	16.50	302	11.89	446	17.56
500	19.69	484	19.06	165	6.50	325	12.80	453	17.83	498	19.61	225	8.86	353	13.90	419	16.50	385	15.16	451	17.76	398	15.67	496	19.53
550	21.65	534	21.02	197	7.76	357	14.06	517	20.35	548	21.57	225	8.86	353	13.90	483	19.02	385	15.16	515	20.28	398	15.67	546	21.50
600	23.62	584	22.99	197	7.76	389	15.31	549	21.61	598	23.54	225	8.86	353	13.90	515	20.28	385	15.16	547	21.54	398	15.67	596	23.46
650	25.59	634	24.96	229	9.02	421	16.57	613	24.13	648	25.51	225	8.86	353	13.90	579	22.80	385	15.16	611	24.06	398	15.67	646	25.43
700	25.59	684	26.93	261	10.28	485	19.09	645	25.39	698	27.48	225	8.86	547	21.54	611	24.06	385	15.16	643	25.31	398	15.67	696	27.40
750	29.53	734	28.90	261	10.28	485	19.09	709	27.91	748	29.45	225	8.86	579	22.80	675	26.57	385	15.16	707	27.83	398	15.67	746	29.37
800	25.59	784	30.87	293	11.54	549	21.61	773	30.43	798	31.42	225	8.86	643	25.31	739	29.09	385	15.16	771	30.35	398	15.67	796	31.34
850	33.46	834	32.83	293	11.54	549	21.61	805	31.69	848	33.39	225	8.86	675	26.57	771	30.35	385	15.16	803	31.61	398	15.67	846	33.31
900	35.43	884	34.80	325	12.80	581	22.87	869	34.21	898	35.35	225	8.86	707	27.83	835	32.87	385	15.16	867	34.13	398	15.67	896	35.28
950	37.40	934	36.77	325	12.80	613	24.13	901	35.47	948	37.32	225	8.86	739	29.09	867	34.13	385	15.16	899	35.39	398	15.67	946	37.24
1000	39.37	984	38.74	325	12.80	645	25.39	965	38.00	998	39.29	225	8.86	771	30.35	931	36.65	385	15.16	963	37.91	398	15.67	996	39.21
1100	43.31	1084	42.68	389	15.31	741	29.17	1061	41.77	1098	43.23	225	8.86	867	34.13	1027	40.43	385	15.16	1059	41.69	398	15.67	1096	43.15

# FR 777

<b>SLIDE TYPE:</b>	Progressive action full-extension pantry pull-out unit with top slide
<b>MOUNTING:</b>	Bottom Mount

<b>LOAD CAPACITY:</b>	dynamic up to <b>200 kg (450 lbs.)</b>
-----------------------	--

