

CLIP top 170° hinges



Features

- 170° opening angle
- Three-dimensional adjustment
- Available with INSERTA tool-free attachment
- 130° angle restriction clip available (70.6103)
- All metal hinge, nickel-plated

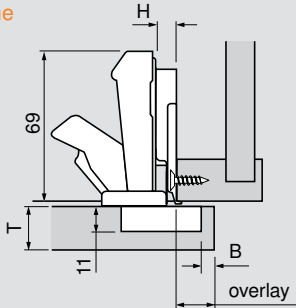
Minimum reveal table						
3	0	0	0	0	0.2	2.2
4	0	0	0	0	0	1.4
5	0	0	0	0	0	0.9
6	0	0	0	0	0	0
7	0	0	0	0	0	0
8	0	0	0	0	0	0
B = boring dist.	16	18	19	20	22	24

T = door thickness

Thickness greater than 24 trial app. recommended

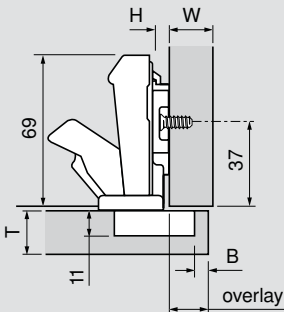
Overlay

Frame



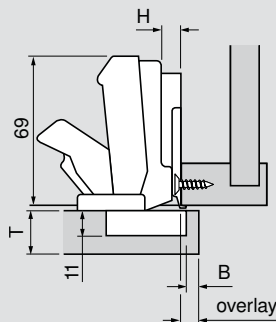
NOTE: 175H6xxx or 175L6600.24 recommended

Panel



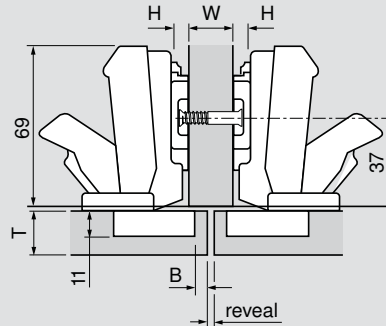
Partial/twin overlay

Frame



NOTE: 175H6xxx or 175L6600.24 recommended

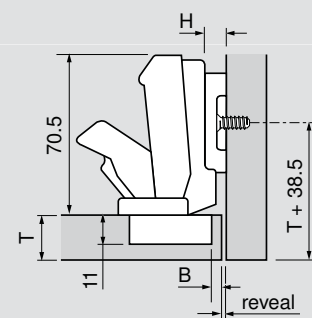
Panel



Inset

Inset application not possible with 170° hinges and the inset face frame adapter (175H5030.21)

Panel



H	Overlay								P	S	
0	14	15	16	17	18	19	1.5	65			
3	11	12	13	14	15	16	4.5	68			
4.5	9.5	10.5	11.5	12.5	13.5	14.5	6	69.5			
6	8	9	10	11	12	13	7.5	71			
9	5	6	7	8	9	10	10.5	74			
	3	4	5	6	7	8	Fixed distance = 11				
	B = boring distance										

NOTE: 4.5 plate is only for use in face frame cabinets, 9 plate is only for panel cabinets

H	Overlay							P	S
0	4.5	5.5	6.5	7.5	8.5	9.5	11	75	
	3	4	5	6	7	8	Fixed distance = 1.5		
	B = boring distance								

H	Reveal						W	P	S
	7	5	3	1	—	—	16		
0	10	8	6	4	2	0	19	11	75
	13	11	9	7	5	3	22		
	3	4	5	6	7	8	B = boring distance		

H	Reveal							P	S
9	4.5	3.5	2.5	1.5	0.5	—	20	84	
	3	4	5	6	7	8	Fixed distance = -7.5		
	B = boring distance								

Abbreviations

H	=	Plate height
P	=	Door protrusion
S	=	Side arm protrusion
T	=	Door thickness
W	=	Side panel width

Straight-arm	Self close	Free swing
Screw-on	71T6550	70T6550
Press-in	71T6580	
INSERTA	71T6540B	70T6540B

Half-cranked	Self close	Free swing
Screw-on	71T6650	70T6650
Press-in	71T6680	
INSERTA	71T6640B	

Half-cranked	Self close	Free swing
Screw-on	71T6650	70T6650
Press-in	71T6680	
INSERTA	71T6640B	