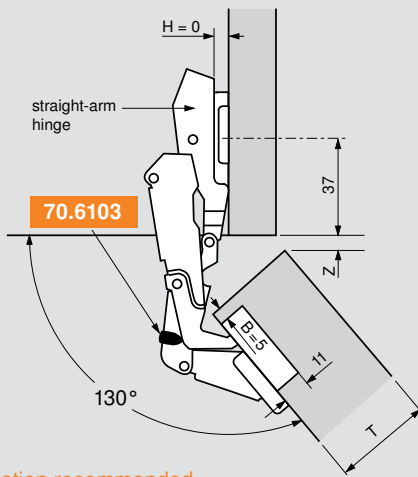


Straight arm applications

Thick door application



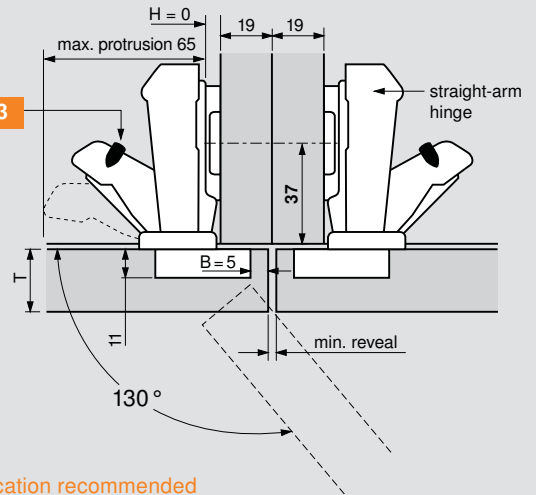
Trial application recommended

Z = gap

15.5	13	11	9.5	7.5
25	29	32	35	38

T = Door thickness

Thick door — twin application



Trial application recommended

Minimum reveal table

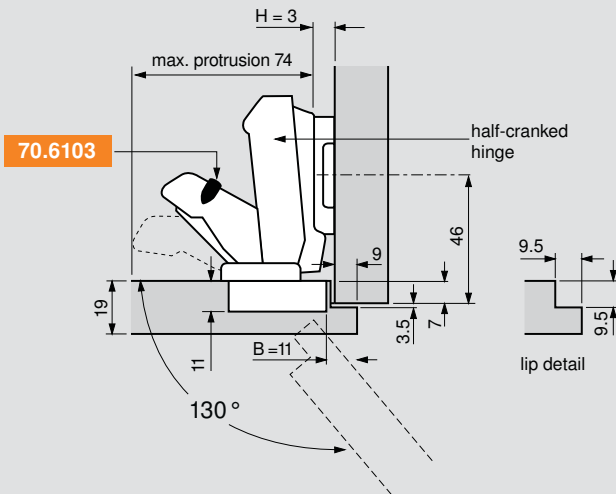
0	6.5	14.5	21
22	25	29	32

T = door thickness

CLIP top/CLIP

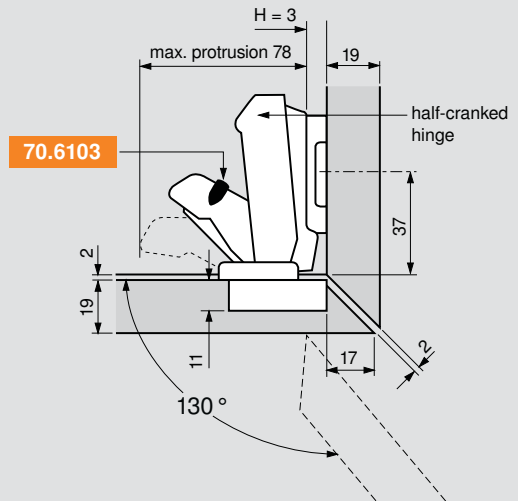
Half-cranked applications

Lip door application



Trial application recommended

Mitered corner door application



Trial application recommended

NOTE: The above applications can be achieved in face frame cabinets by blocking out behind the frame

Angle restriction clip



- Reduces opening angle of the CLIP top 170° to 130°
- Installs quickly and easily tool-free
- Black nylon

Part no.

Angle restriction clip

70.6103