

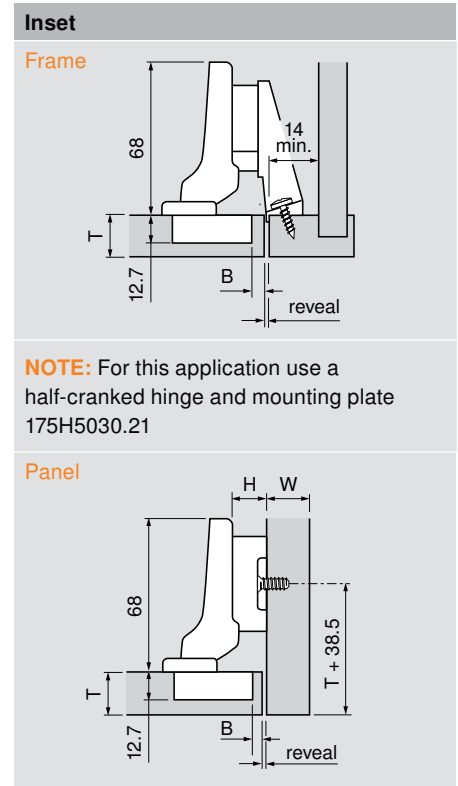
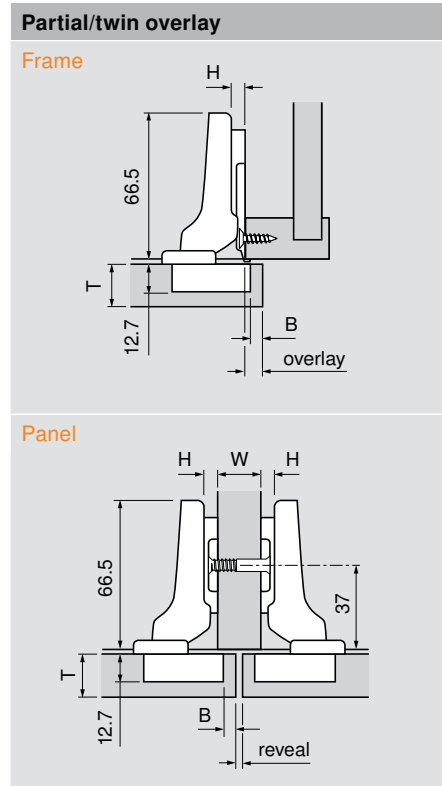
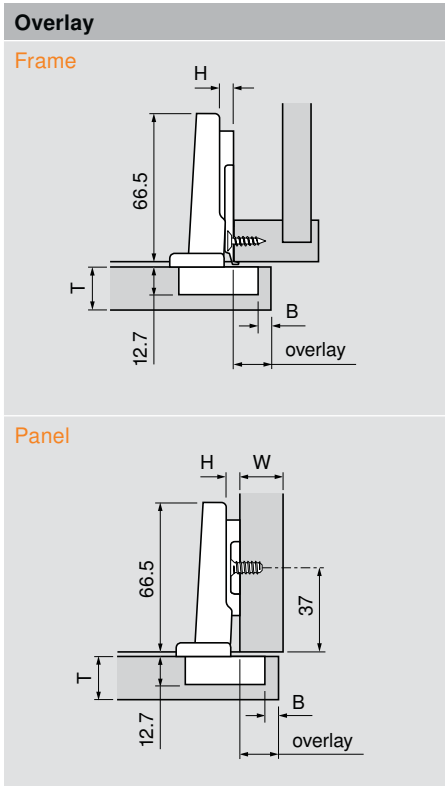


Features

- 120° opening angle
- Three-dimensional adjustment
- Available with INSERTA tool-free attachment
- All metal hinge, nickel-plated

Minimum reveal table					
3	1.2	1.7	2.0	2.4	3.3
4	1.2	1.7	2.0	2.3	3.1
5	1.1	1.6	1.9	2.2	3.0
6	1.1	1.6	1.9	2.2	2.9
B = boring dist.	16	18	19	20	22
T = door thickness					

Thickness greater than 22 trial app. recommended



NOTE: For this application use a half-cranked hinge and mounting plate 175H5030.21

H	Overlay					P	S
0	14	15	16	17	11.5	20.5	
3	11	12	13	14	14.5	23.5	
4.5	9.5	10.5	11.5	12.5	16	25	
6	8	9	10	11	17.5	26.5	
9	5	6	7	8	20.5	29.5	
	3	4	5	6	Fixed distance = 11		
	B = boring distance						

NOTE: 4.5 plate is only for use in face frame cabinets, 9 plate is only for panel cabinets

H	Overlay				P	S
0	4.5	5.5	6.5	7.5	21.5	30
	3	4	5	6	Fixed distance = 1.5	
	B = boring distance					

H	Reveal				P	S
9	4.5	3.5	2.5	1.5	30.5	39
	3	4	5	6	Fixed distance = -7.5	
	B = boring distance					

H	Reveal				W	P	S
	7	5	3	1	16		
0	10	8	6	4	19	21.5	30
	13	11	9	7	22		
	3	4	5	6			
	B = boring distance						

Abbreviations

H	=	Plate height
P	=	Door protrusion
S	=	Side arm protrusion
T	=	Door thickness
W	=	Side panel width

Straight-arm	Self close	Free swing
Screw-on	71T5550	70T5550.TL
Press-in	71T5580	70T5580.TL
EXPANDO	71T558E	
INSERTA	71T5590B	70T5590BTL

Half-cranked	Self close	Free swing
Screw-on	71T5650	70T5650.TL
Press-in	71T5680	70T5680.TL
INSERTA	71T5690B	70T5690BTL

Half-cranked	Self close	Free swing
Screw-on	71T5650	70T5650.TL
Press-in	71T5680	70T5680.TL
INSERTA	71T5690B	70T5690BTL